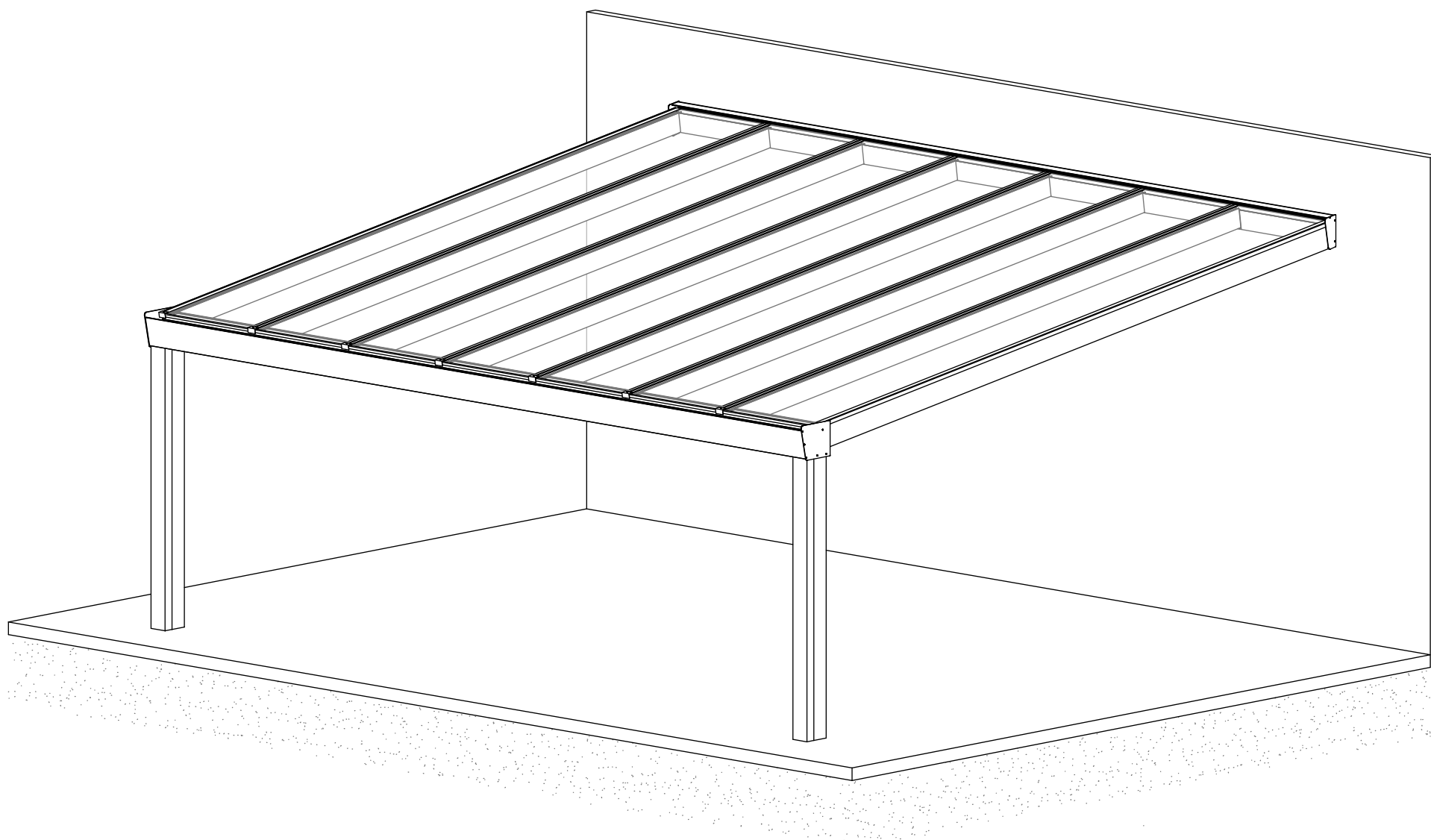




DIN and 1090-1 2012  
REG.-NR. 0115536



**The Superior Edition is exclusively delivered as a Bespoke product !**

The quantities and images in this manual are based on a Superior Edition  
or  $\pm 5000 \times 4000$  mm on 2 posts with 7 roof sections.



**IMPORTANT:**

- \* The Superior Edition is NOT a DIY product. It is a product with large dimensions and a lot of weight!!!
- \* The installation has to be carried out by an experienced mechanic at all times!!!
- \* During the installation the step-by-step plan has to be followed accurately and in the exact order as mentioned in this manual!!!
- \* Structural measures, such as concrete foundation, have to be carried out by experienced construction workers!!!
- \* Ensure the use of the right type of fastener/fixing system for the architectural structure by consulting a specialist supplier.
- \* Do not take any unnecessary risks, consider your safety and do always use the required personal protective equipment.



**ENGLISH:**  
**Important information !**  
**Please read carefully !**  
**Keep this information for future use !**

**Manual for the end user and the installer:**

Dear customer,

Thank you for purchasing one of our verandas. This manual provides all the necessary information to quickly become familiar with the product. We kindly ask you to read this information carefully before working with the product.



This manual is intended for the end user and installers. We recommend that the assembly or this construction be carried out by (at least) 2 or 3 qualified persons.

The assembly of the product is described in 2 chapters:

- 1: Preparation for assembly (from page 8)
- 2: Assembly (from page 15)

**This is the original manual, look after it!**

**Product Description:**

The veranda may only be used to cover a terrace, any use, other than that described here, is considered as unintended use. The manufacturer cannot be held responsible for any (consequential) damage caused by unintended, improper or unwise use.

**Symbols used:**



This symbol means that the product is not included and you have to purchase it yourself.



This symbol means that you must use the supplied screw. The type and quantity of screws are shown beneath the image.

Fixing materials that are not included must be purchased



separately because each situation requires different fixings and depends on the substrate or construction to which it needs to be affixed.

Always seek advice from a specialist building supplier about what is required in your particular situation and only use stainless steel fixings.

**Environmental conditions:**

This product is intended for outdoor use and may get wet.

**Precautions and Safety Instructions:**

**Warning!**

- If your veranda contains lighting or heating, the electrical installation may only be carried out by a qualified installer.
- The end user is responsible for the correct installation and use of the product. Improper assembly or improper use may cause damage to, or a defect in, the product. The warranty is void if the product and/or the electronic components are damaged through improper assembly or use.
- Observe local laws and regulations when assembling and/or using the product.

**Please note!**

- All screws should be carefully tightened with a torque of 1.0 Nm. Make sure you tighten the screws with caution, when screwing into soft materials like aluminium, screws can easily get "stripped".
- When unpacking, check that all parts are present and check all components for possible damage.
- Contact your supplier if any parts are missing or damaged, if possible, take photographs of any damaged packaging and parts.

**Maintenance, environment and disposal:**

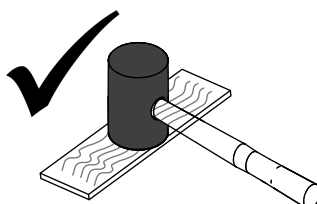
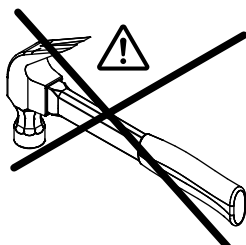
- Clean the product when dirty or at least every 6 months to ensure a longer product life.



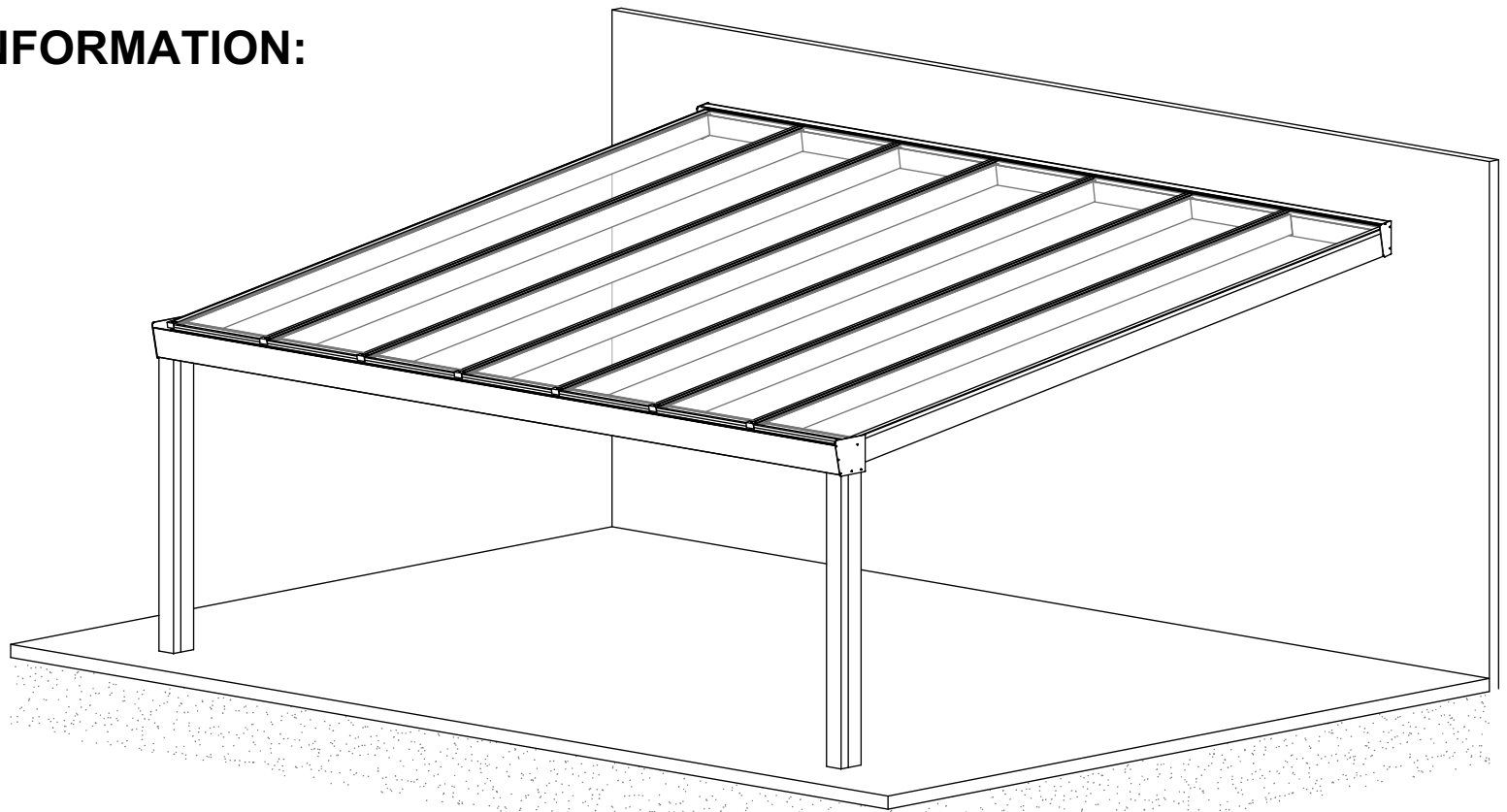
The symbol on the material, the accessories or packaging indicates that this product may not be treated as household waste. Dispose of this material through a collection point for recycling discarded materials within the EU and in other European countries that have separate collection systems for used electrical and electronic equipment. Properly disposing of the device helps you to prevent possible environmental and public health hazards that would otherwise be caused by improper handling or the waste device. Recycling materials helps to conserve natural resources, so do not dispose of your old electrical and electronic equipment through household waste.



**Think about your safety, do not walk on the Polycarbonate roofing sheets !!**  
**Use personal protective equipment such as safety shoes, gloves, face protection and head protection.**



## IMPORTANT INFORMATION:

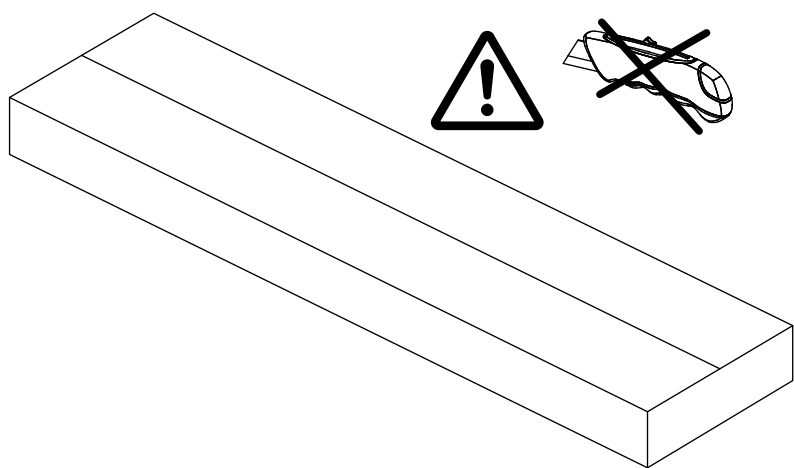


The Superior Edition is exclusively delivered as a Bespoke product !

The Assembly Instructions therefore serve only as a guide and some materials are indicated as "variable" in terms of quantities and dimensions

Check in advance which Gutter reinforcement and reinforcement of the Supports, if any, are applicable in your veranda and install them in advance, this prevents forgetting to install them and building constructions that do not meet the individual structural requirements !

The quantities and images in this manual are based on a Superior Edition or  $\pm 5000 \times 4000$  mm on 2 posts with 7 roof sections.

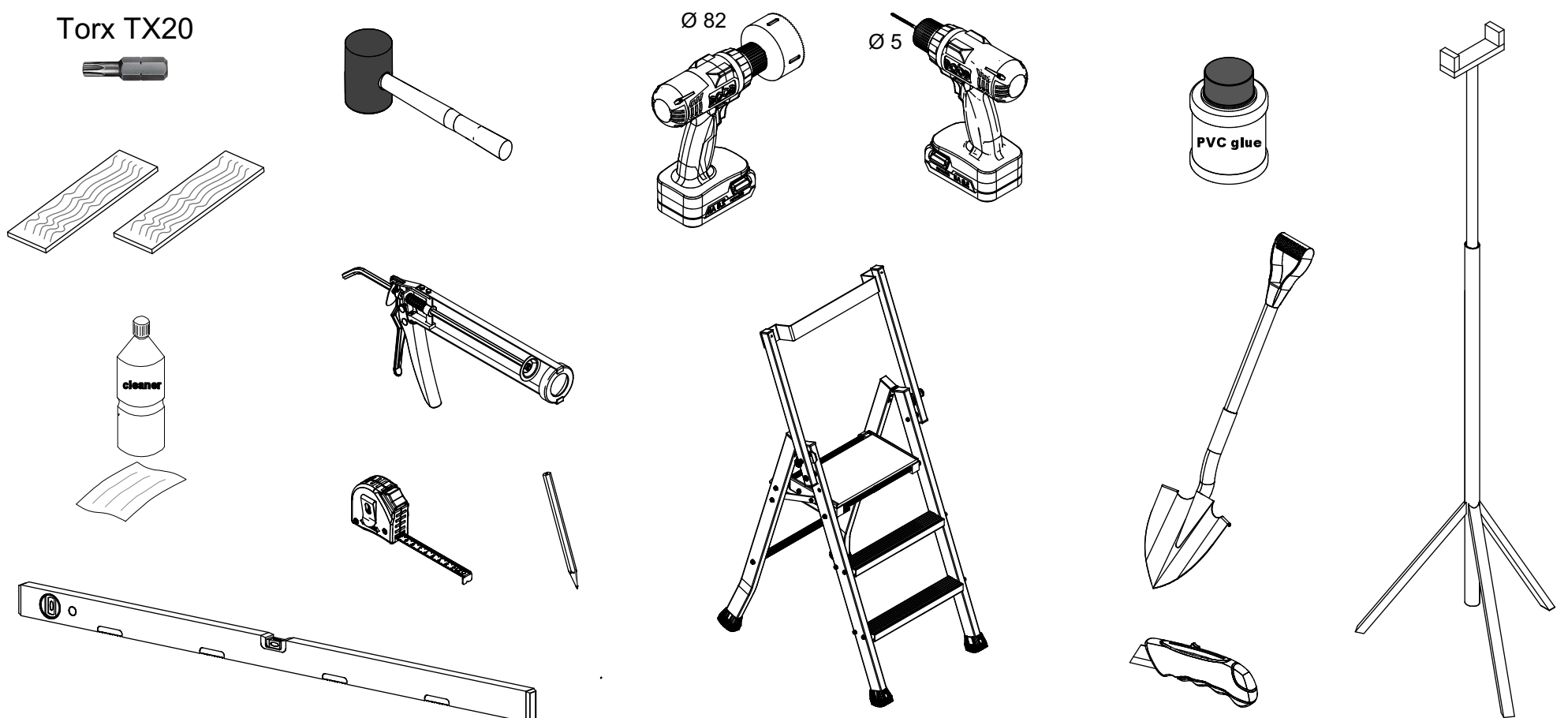


**Open the packaging carefully !!!**

**Check for missing or damaged contents !!!**

In the case of transport damage, take clear photos and contact your dealer !!!

## Required Tools which are NOT included:



# OVERVIEW of PROFILES:

**Pos 1**  
1x



**STANDARD \***

**OPTION 1 \***

with Main Reinforcemant

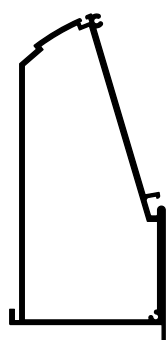
**OPTION 2 \***

with Main Reinforcemant and Aluminium Strip

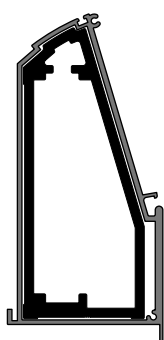
**OPTION 3 \***

with Main Reinforcemant and Steel Strip

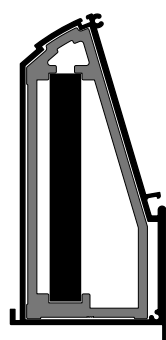
**Pos 2**  
1x



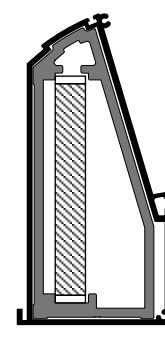
or →



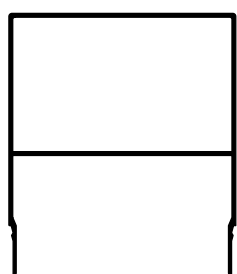
or →



or →



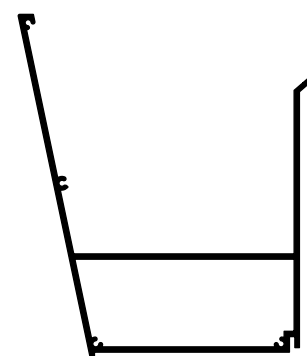
**Pos 3**  
2x



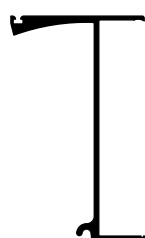
**Pos 8**  
2x



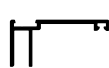
**Pos 9**  
1x



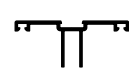
**Pos 4**  
1x



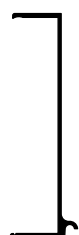
**Pos 10**  
2x



**Pos 11**  
variable



**Pos 5**  
1x



**Pos 12**  
variable



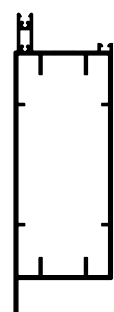
**Pos 13**  
1x



**Pos 14**  
variable



**Pos 6**  
2x



**STANDARD**

for 8,76 mm glass

**Pos 15**  
variable



or →

**OPTION 1**

for 10,76 mm and 12,76 mm glass



or →

**OPTION 2**

for 16 mm Polycarbonate or Panel



**STANDARD \***

without reinforcement sleeve

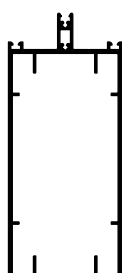
**OPTION 1 \***

with Aluminium reinforcement sleeve

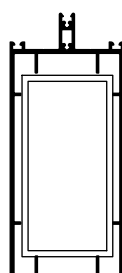
**OPTION 2 \***

with Steel reinforcement sleeve

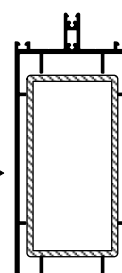
**Pos 7**  
variable



or →



or →



**Pos 16**  
2x

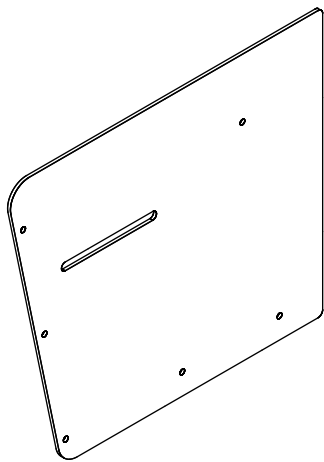
L 40x20x2  
length 130 mm

\* = Depending on Structural Calculation



# OVERVIEW OF ACCESSORIES:

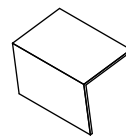
**Pos 17**  
2x



**Pos 18**  
2x



**Pos 19**  
variable



**Pos 20**  
variable



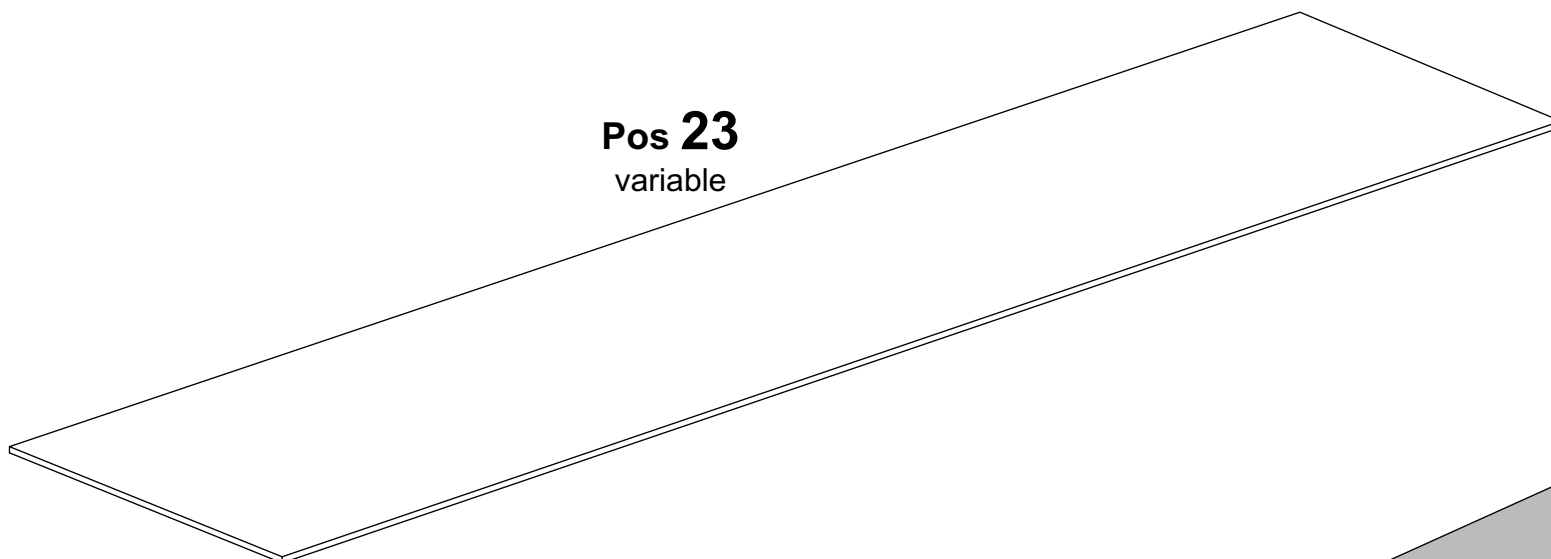
**Pos 21**  
variable



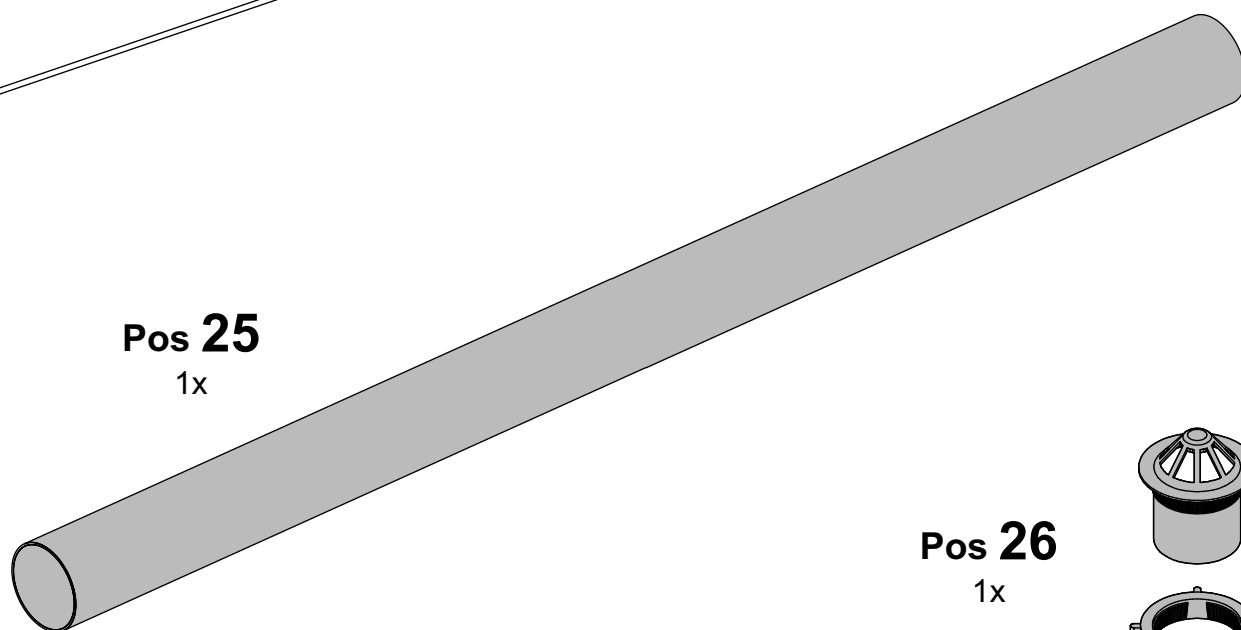
**Pos 22**  
variable



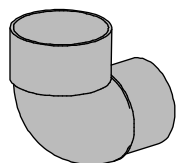
**Pos 23**  
variable



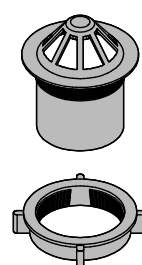
**Pos 25**  
1x



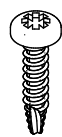
**Pos 24**  
1x



**Pos 26**  
1x



4,2x19



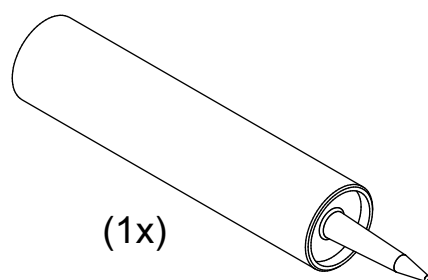
variable

4,2x25

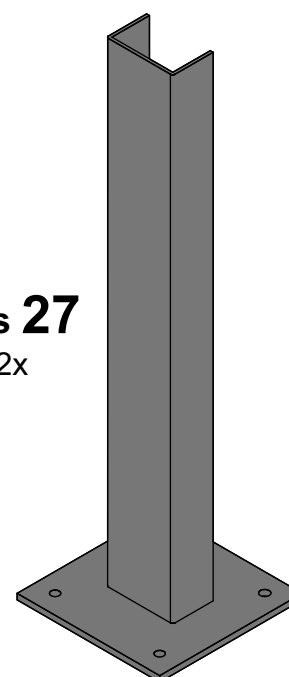


(10x)

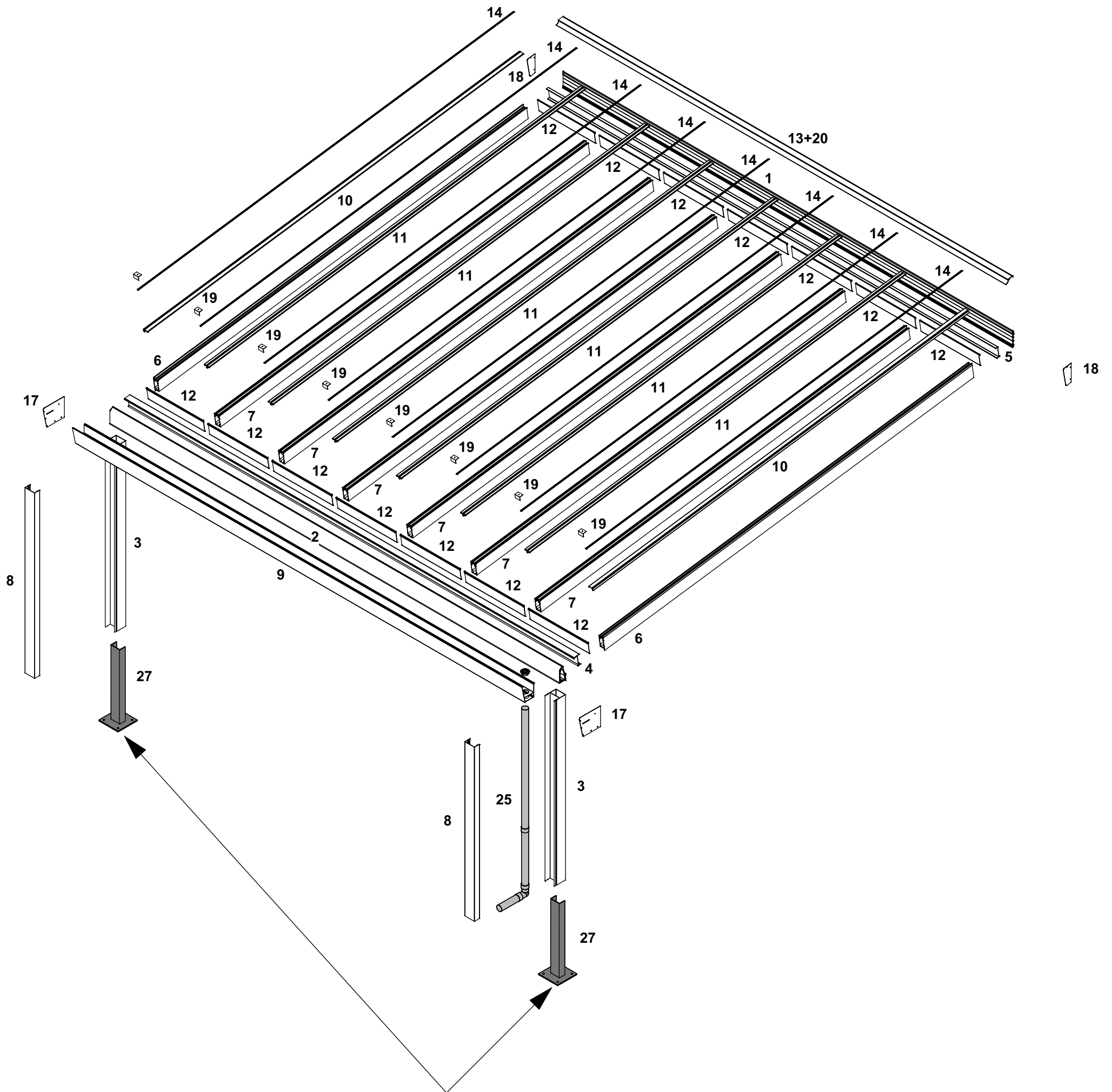
(1x)



**Pos 27**  
2x

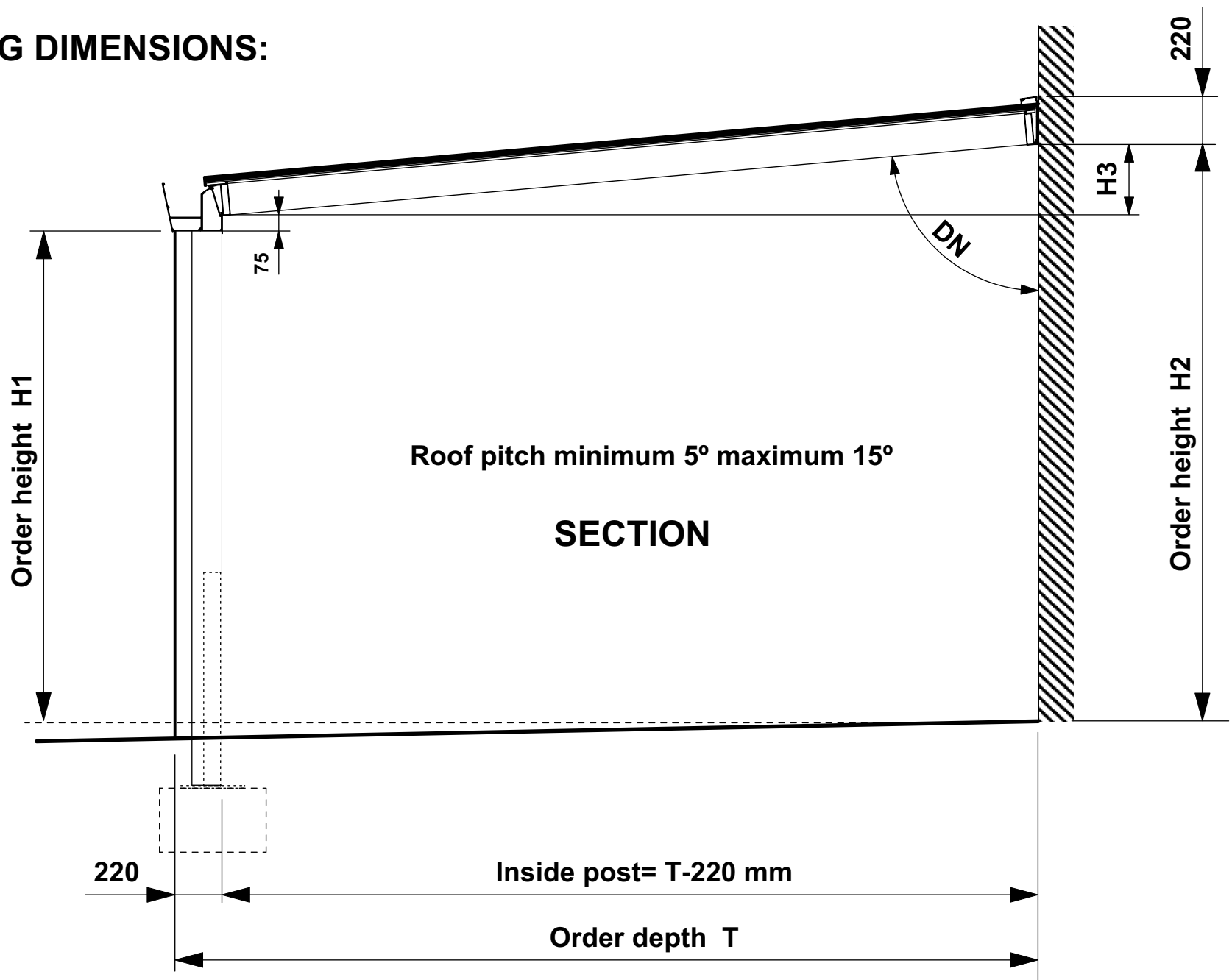


# 3D MATERIAL OVERVIEW:



**In order to comply with the structural requirements, the Superior Edition must only be mounted on steel post anchors !**

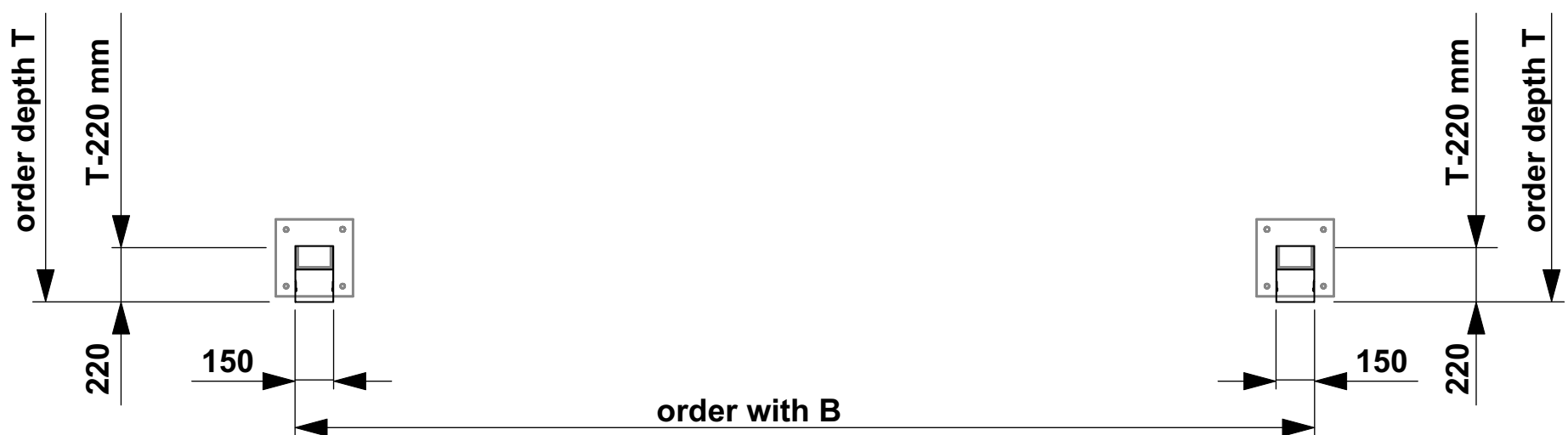
**ORDERING DIMENSIONS:**



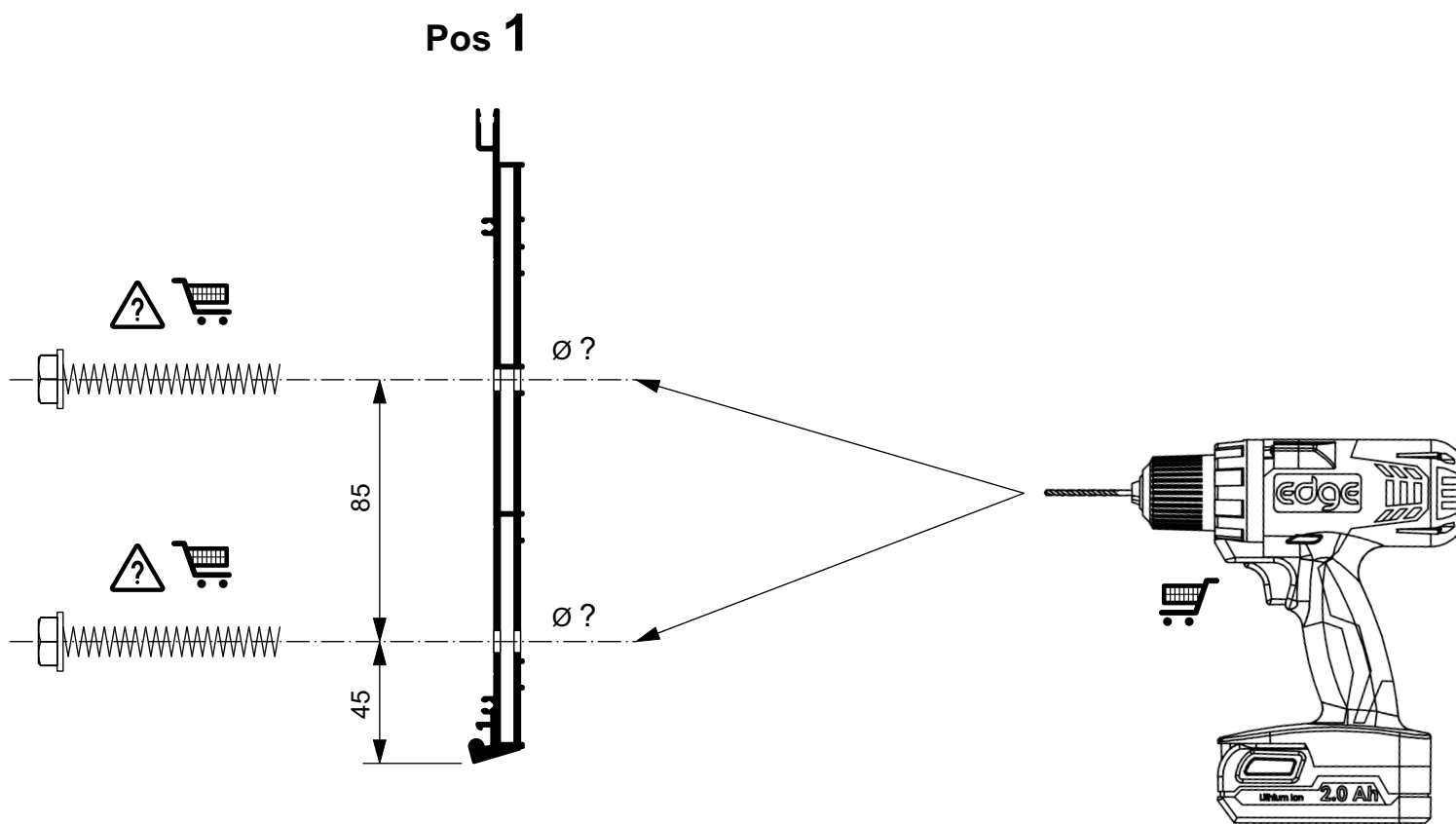
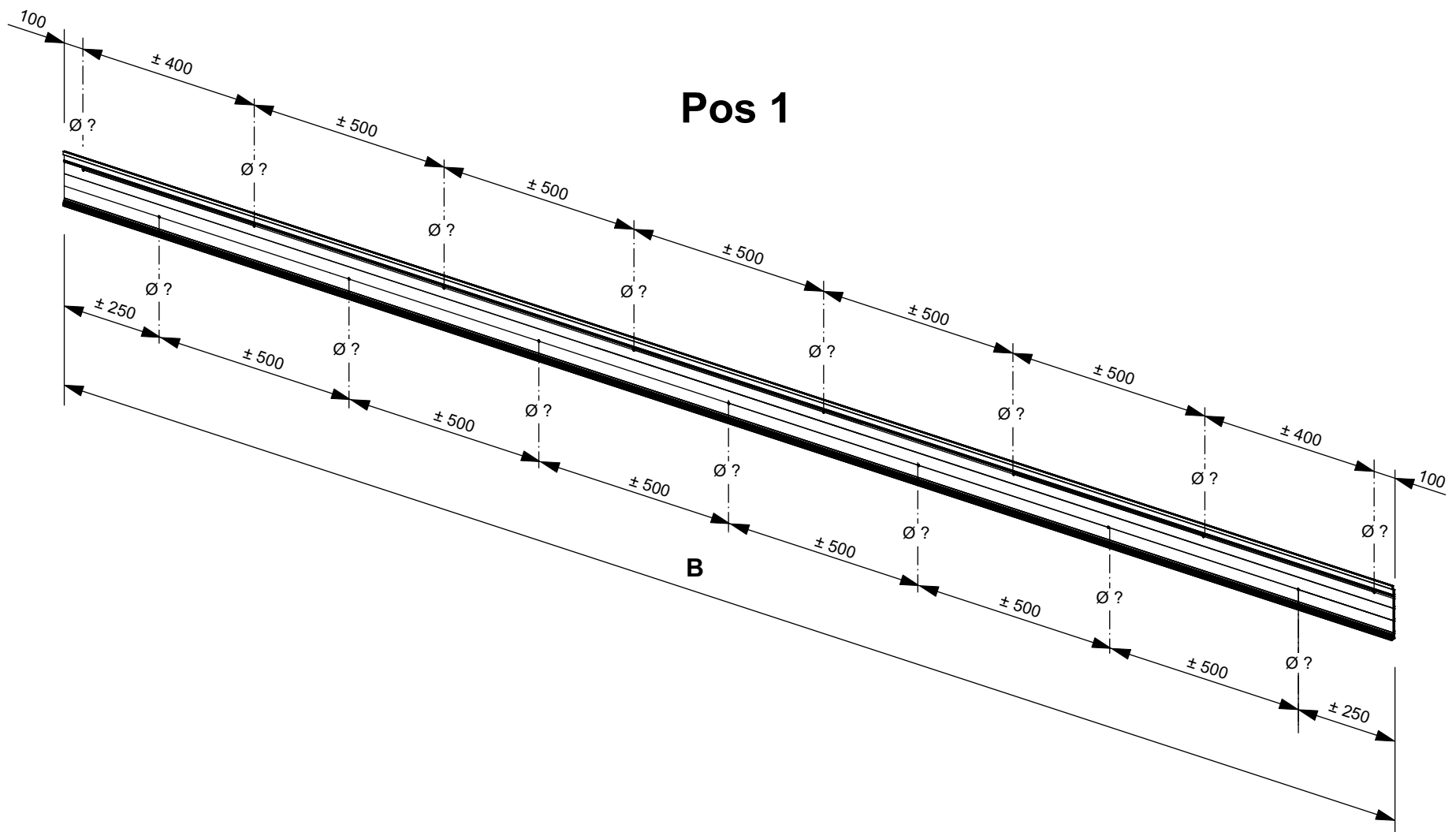
**Layout dimensions for variable roof pitch:**

Roof pitch DN	Veranda depth T				Rear height H3= H2-(H1+75)			
5 degrees	3016	4023	5028	6034	242	330	418	506
6 degrees	3012	4016	5020	6024	290	396	501	607
7 degrees	3006	4009	5011	6013	338	461	584	707
<b>8 degrees</b>	<b>3000</b>	<b>4000</b>	<b>5000</b>	<b>6000</b>	<b>386</b>	<b>527</b>	<b>667</b>	<b>808</b>
9 degrees	2993	3990	4988	5985	434	592	750	908
10 degrees	2985	3980	4974	5968	482	657	832	1008
11 degrees	2976	3967	4959	5949	529	722	915	1107
12 degrees	2966	3954	4942	5929	577	787	997	1207
13 degrees	2956	3940	4924	5907	624	851	1078	1306
14 degrees	2945	3925	4905	5884	671	915	1160	1404
15 degrees	2932	3908	4884	5858	718	979	1241	1502

**8 degrees = STANDARD Roof pitch**

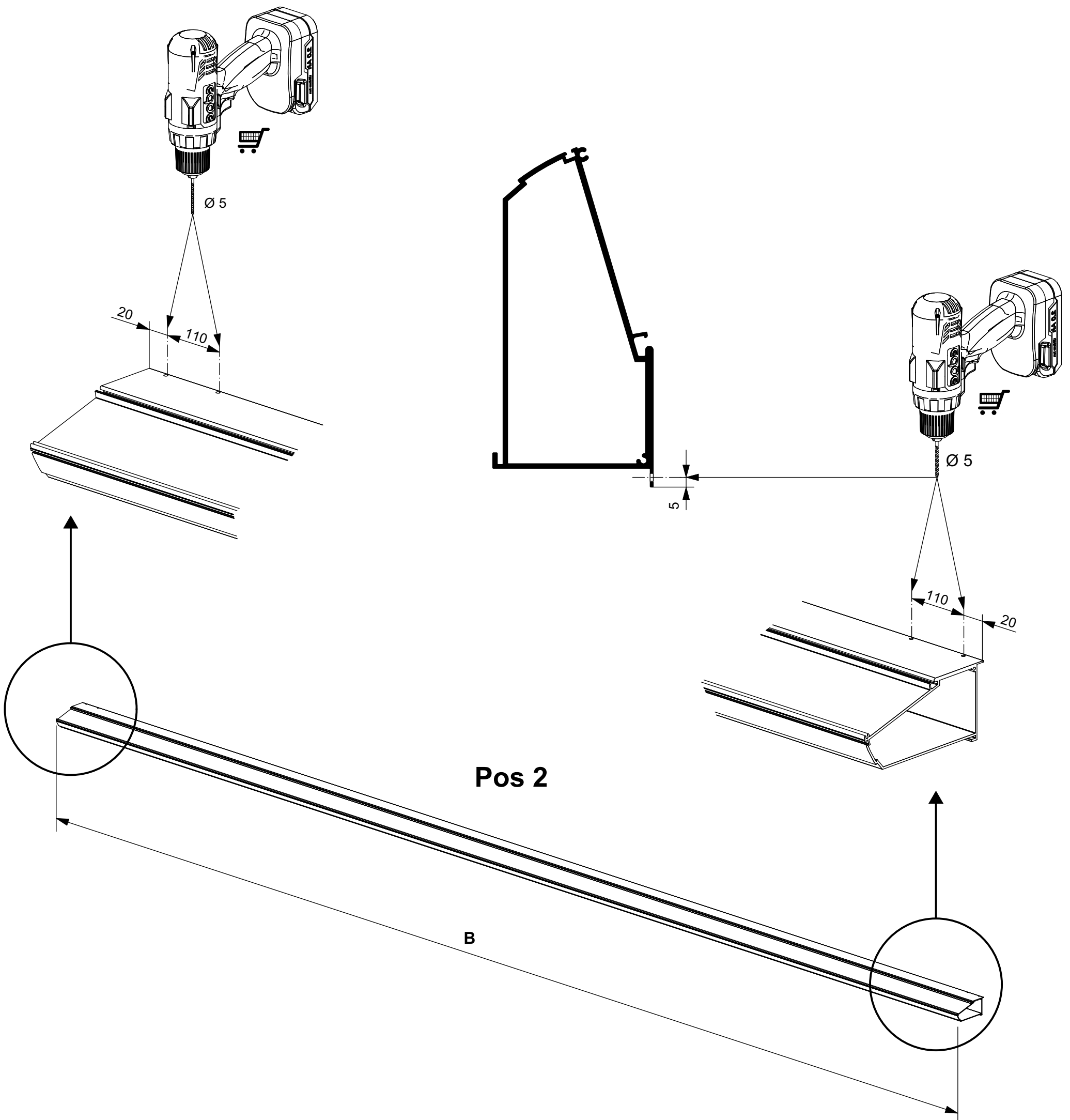


# PREPARATION WALL PROFILE:

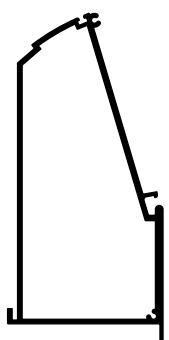


Drill the staggered fixing holes in the wall profile as shown in the above dimensional diagram.  
 The diameter of these holes depends on the fixing materials applicable in your situation.  
 Because the fixing materials must be carefully determined per construction project, they are NOT supplied as standard.  
 Always seek advice from a specialist building supplier about what is required in your particular situation.  
**Only use stainless steel fixings!**

# PREPARATION OF GUTTER SUPPORT:



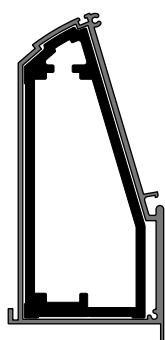
**STANDARD \***



or →

**OPTION 1 \***

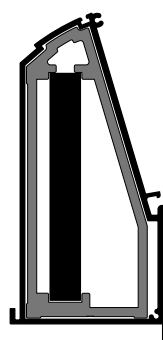
with Main Reinforcement



or →

**OPTION 2 \***

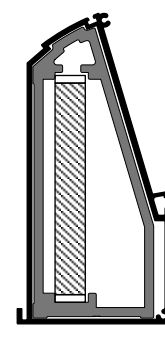
with Main Reinforcement and Aluminium Strip



or →

**OPTION 3 \***

with Main Reinforcement and Steel Strip



Please check if, and which gutter reinforcement is applicable to your veranda and construct the gutter support before starting assembly !



# GUTTER REINFORCEMENT OPTIONS: OPTION 1 \*

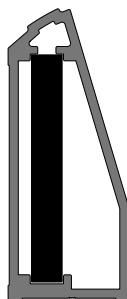
with Main Reinforcement



or

# OPTION 2 \*

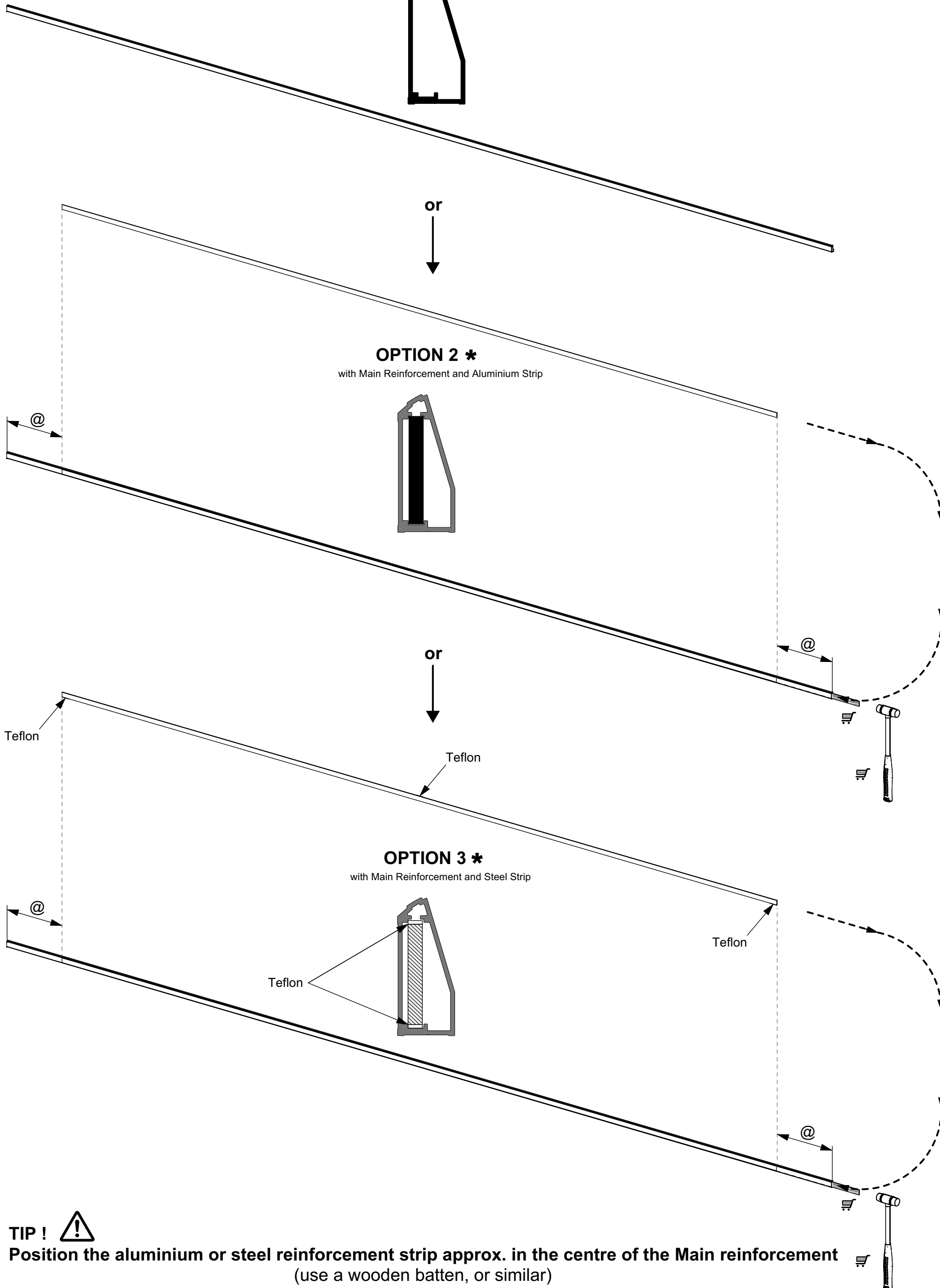
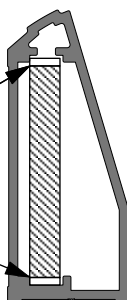
with Main Reinforcement and Aluminium Strip



or

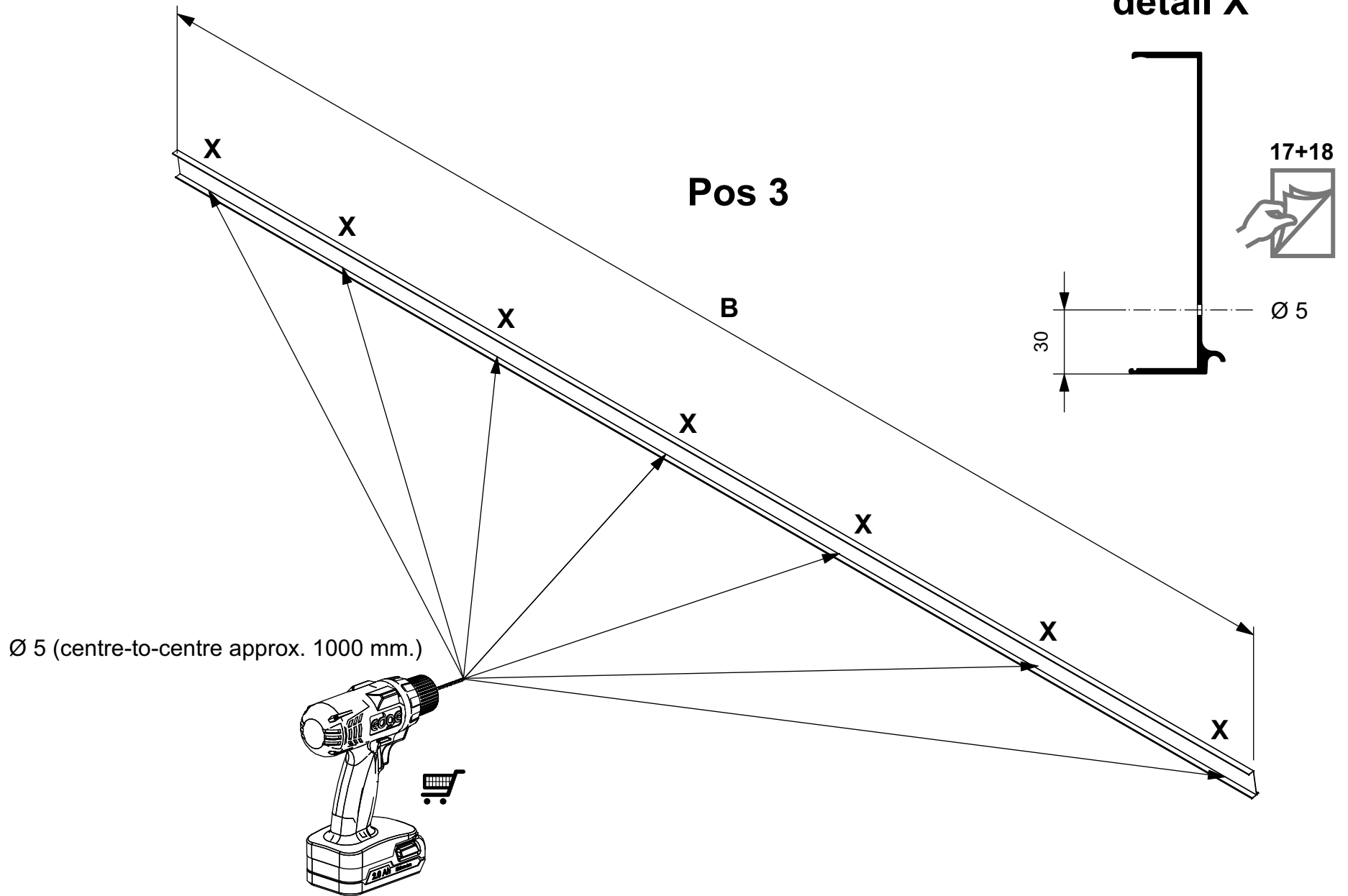
# OPTION 3 \*

with Main Reinforcement and Steel Strip

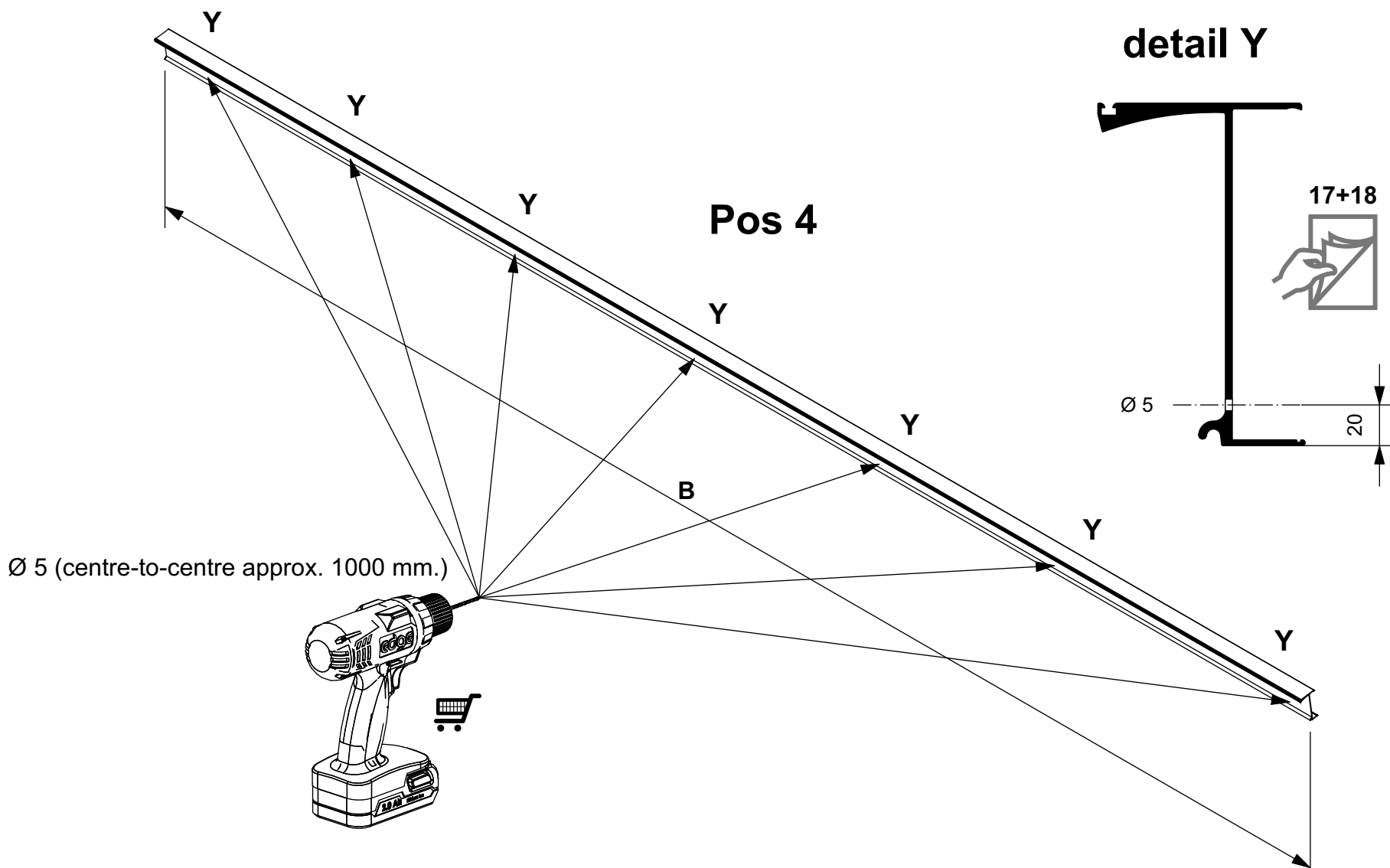


**TIP !** Position the aluminium or steel reinforcement strip approx. in the centre of the Main reinforcement (use a wooden batten, or similar)

# PREPARATION OF HINGE PROFILES:

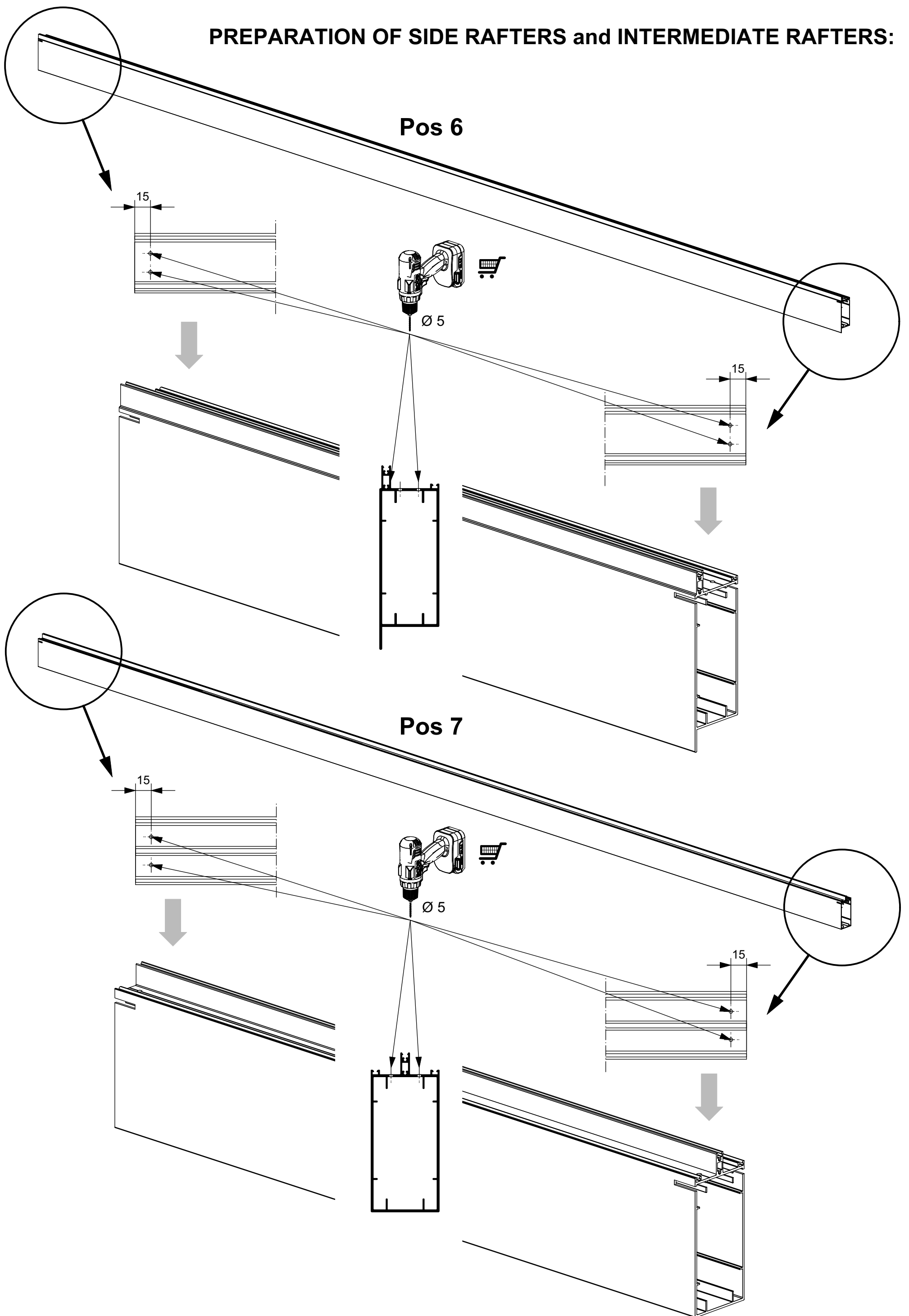


Drill holes Ø 5 mm along the width according to the sketch above; c-t-c approx. 1000 mm.  
 These holes will be fitted with screws to lock the hinge profile to avoid this profile to be lifted after it is positioned in the wall plate.

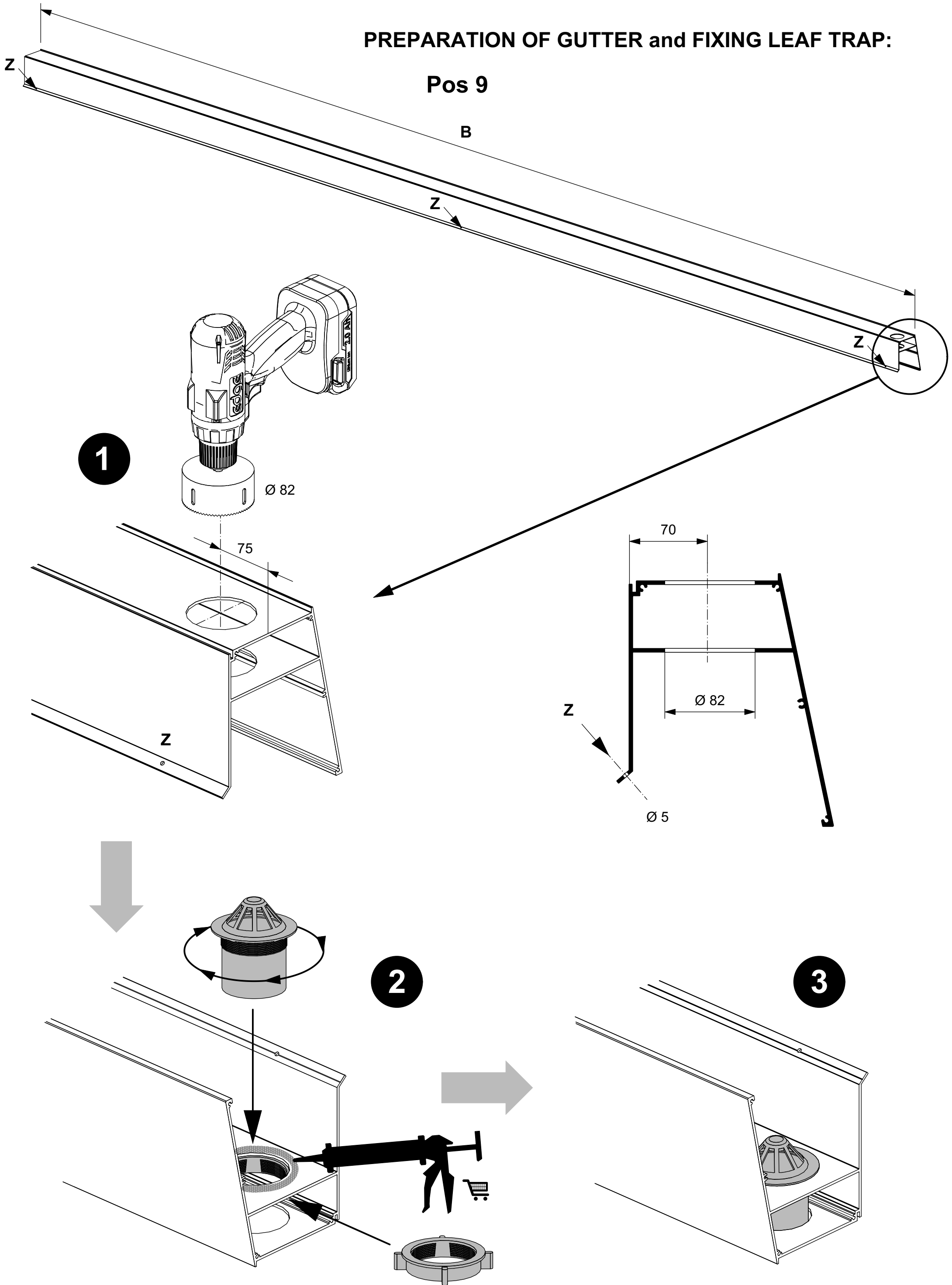


Drill holes Ø 5 mm along the width according to the sketch above; c-t-c approx. 1000 mm.  
 These holes will be fitted with screws to lock the hinge profile to avoid this profile to be lifted after it is positioned in the gutter profile.

# PREPARATION OF SIDE RAFTERS and INTERMEDIATE RAFTERS:



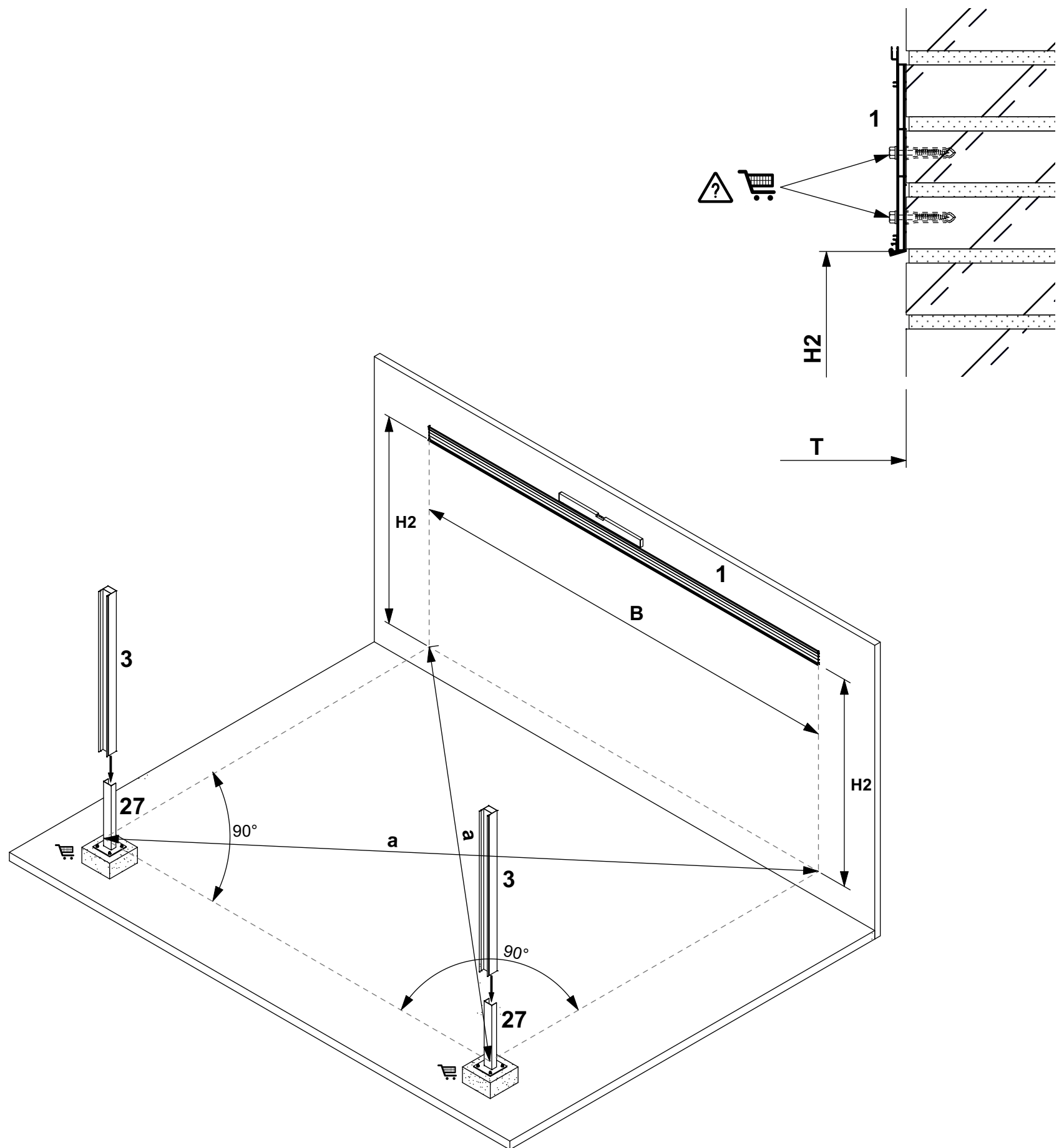
# PREPARATION OF GUTTER and FIXING LEAF TRAP:









Affix the Wall profile **Pos 1** to the wall at the desired height **H2** with the fixing materials you have purchased yourself. Because the fixing materials must be carefully determined per construction project, they are NOT supplied as standard. Always seek advice from a specialist building supplier about what is required in your particular situation.  
**Only use stainless steel fixings!**



  Affix the steel Post anchors **Pos 27** on the Concrete foundation with the fixing materials you have purchased yourself. Because the fixing materials must be carefully determined per construction project, they are NOT supplied as standard. Always seek advice from a specialist building supplier about what is required in your particular situation.  
**Only use stainless steel fixings!**

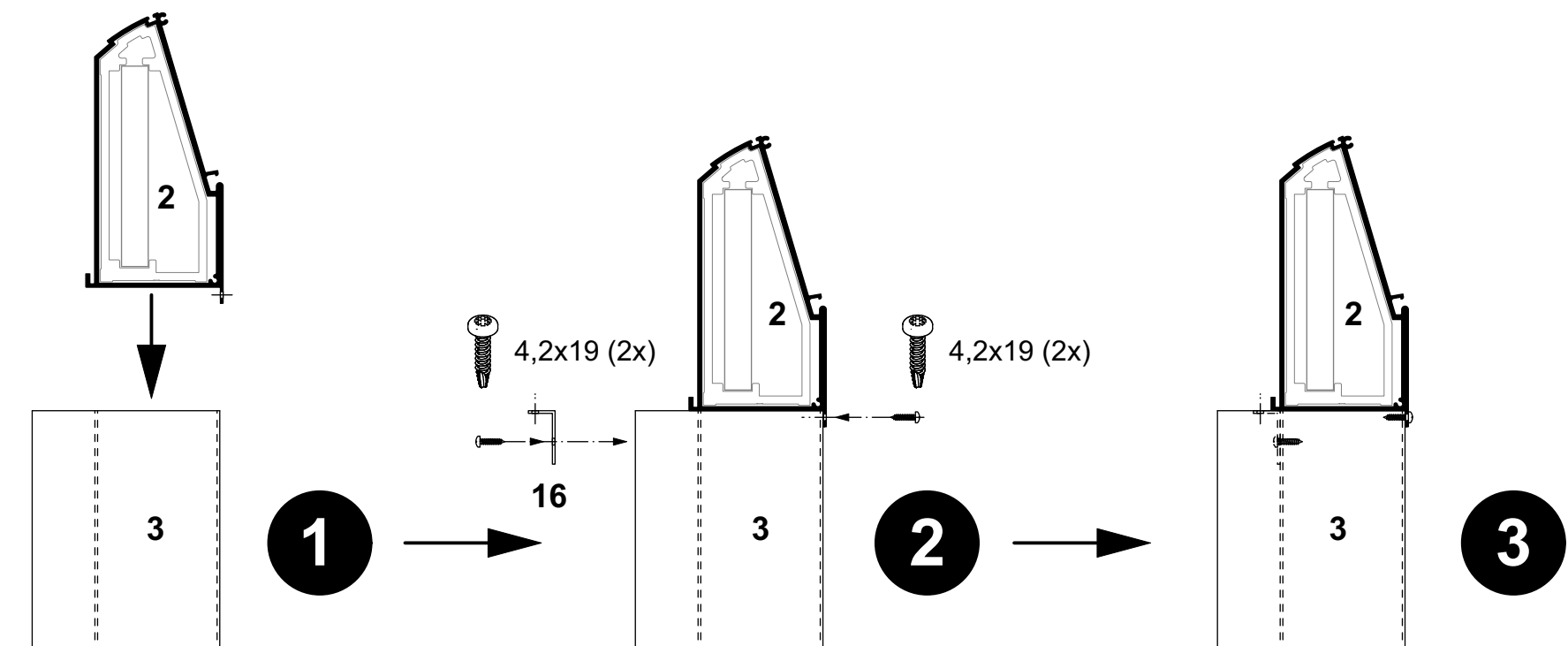
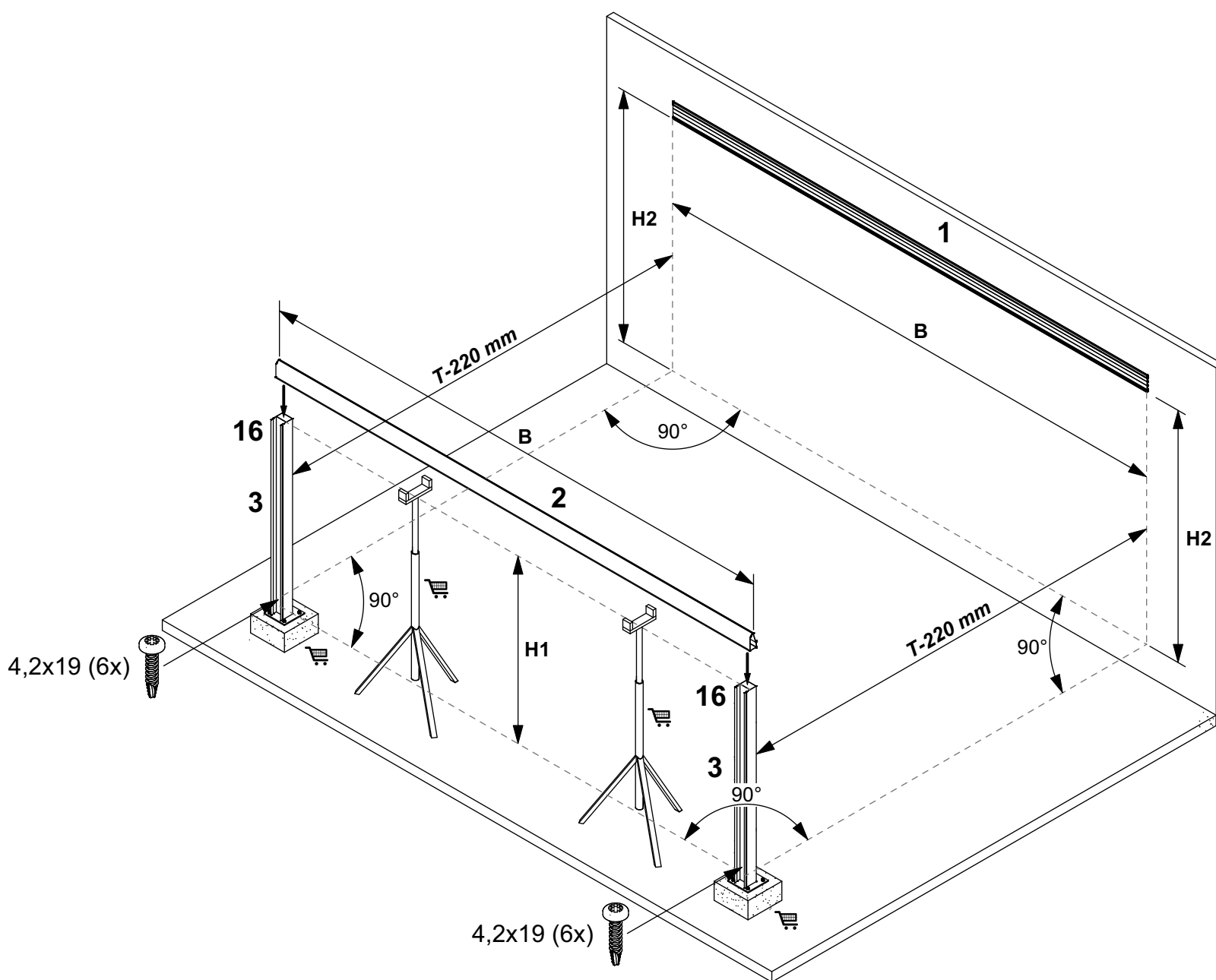
**It is always preferable to have the Concrete foundation built by a skilled construction professional!**

Lower the Posts **Pos 3** onto the Steel Post anchors **Pos 27**

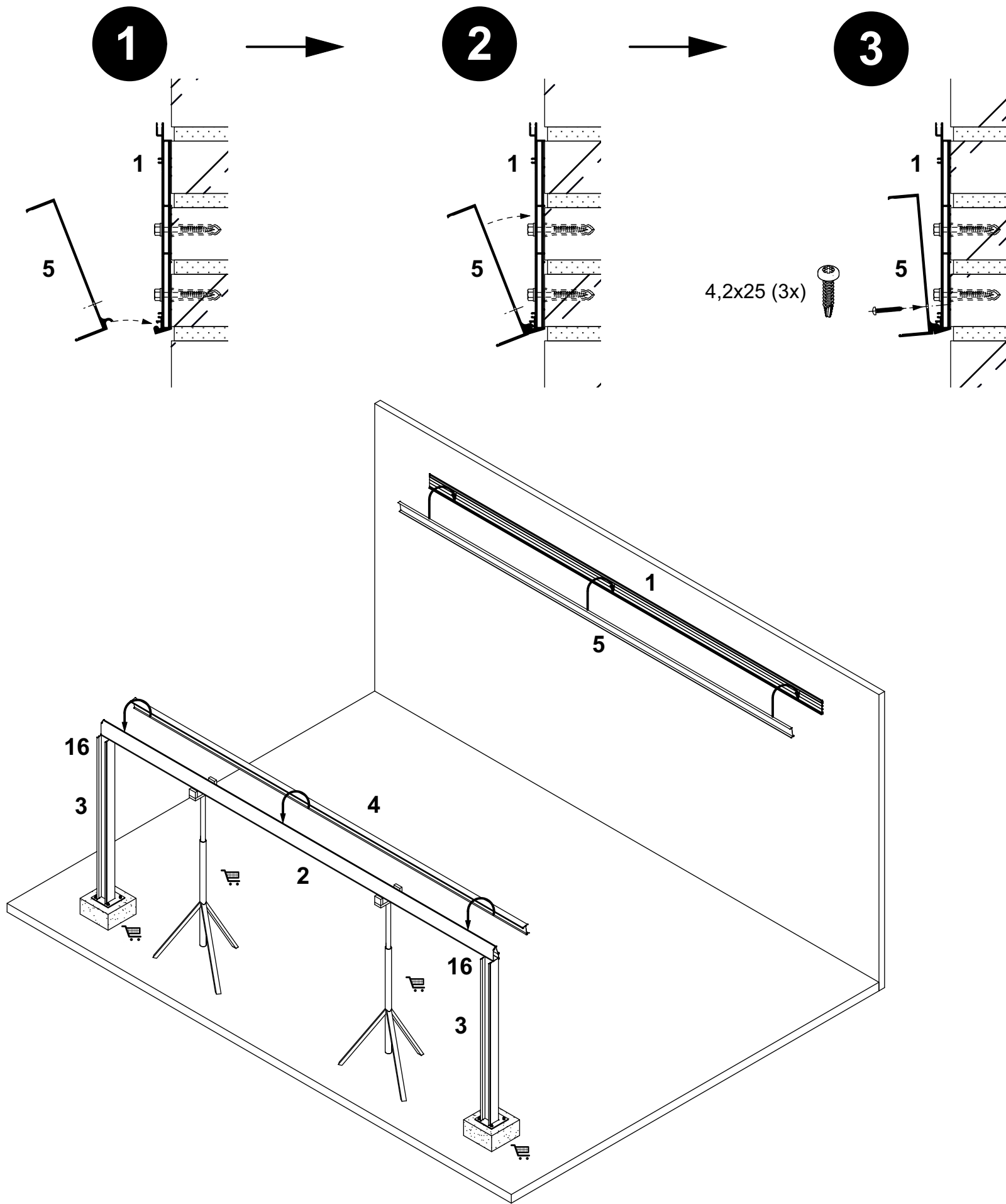
Set the Posts **Pos 3** to the required height **H1** and fasten it with 6 screws 4.2x19 to the Steel Post anchors **Pos 27**

Place the Gutter support **Pos 2** on the Posts **Pos 3** and fasten it at the rear with 2 screws 4.2x19 to the Posts **Pos 3** (for temporary support, make use of solid, stable across props)

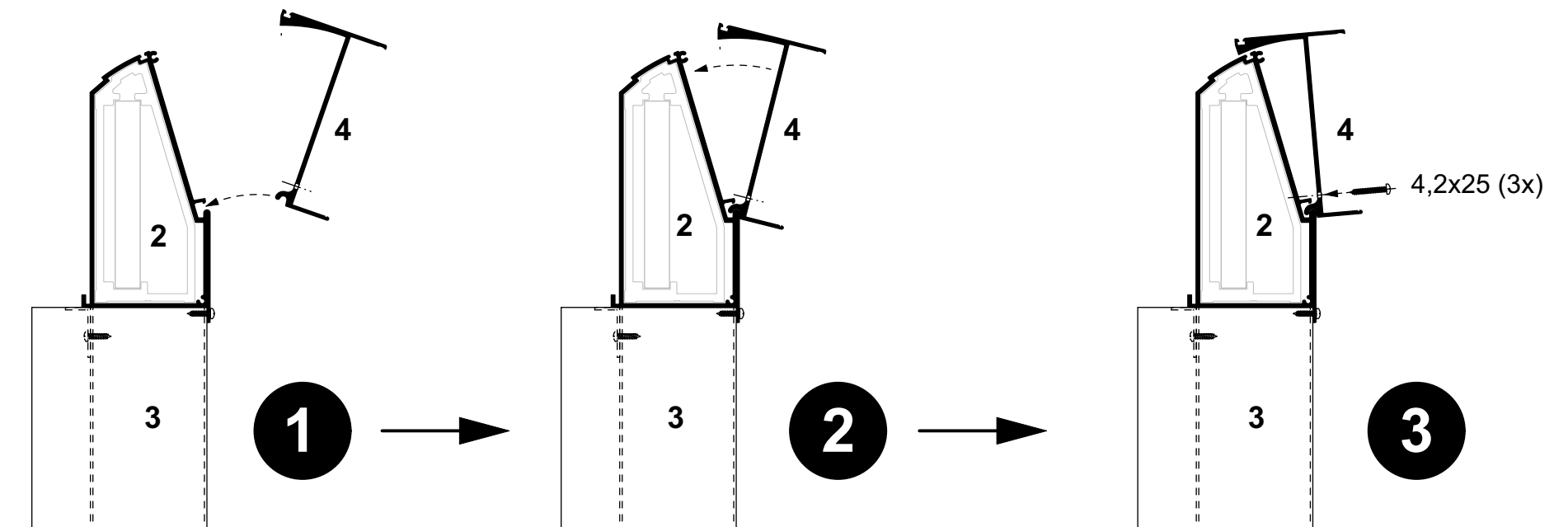
Attach the Gutter support **Pos 2** to the outside of the posts **Pos 3** using fixing brackets **Pos 16** with 4 pieces screws 4.2x19



The hinge profile **Pos 5** has to be hooked into the wall plate **Pos 1** and then needs to be positioned in the required slope. Install the side rafters according to **page 18** and fix the hinge profile with screws 4,2x25 c-t-c approx. 1000 mm.

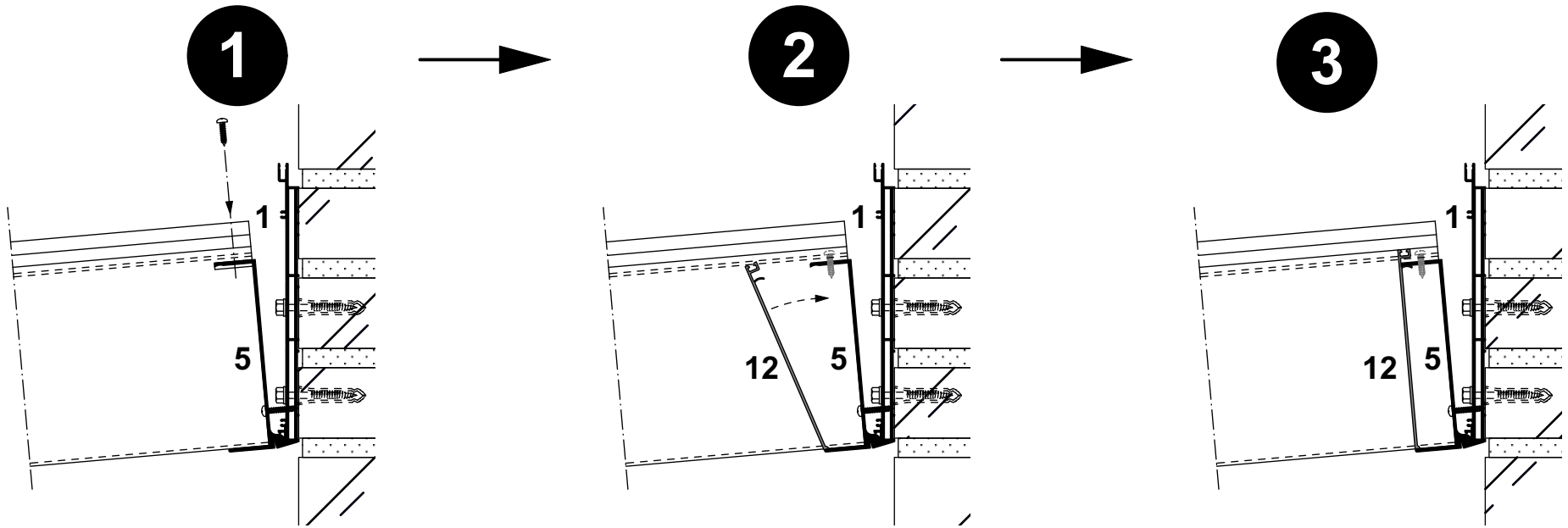


The hinge profile **Pos 4** has to be hooked into the gutter support **Pos 2** and then needs to be positioned in the required slope. Install the side rafters according to **page 18** and fix the hinge profile with screws 4,2x25 c-t-c approx. 1000 mm.



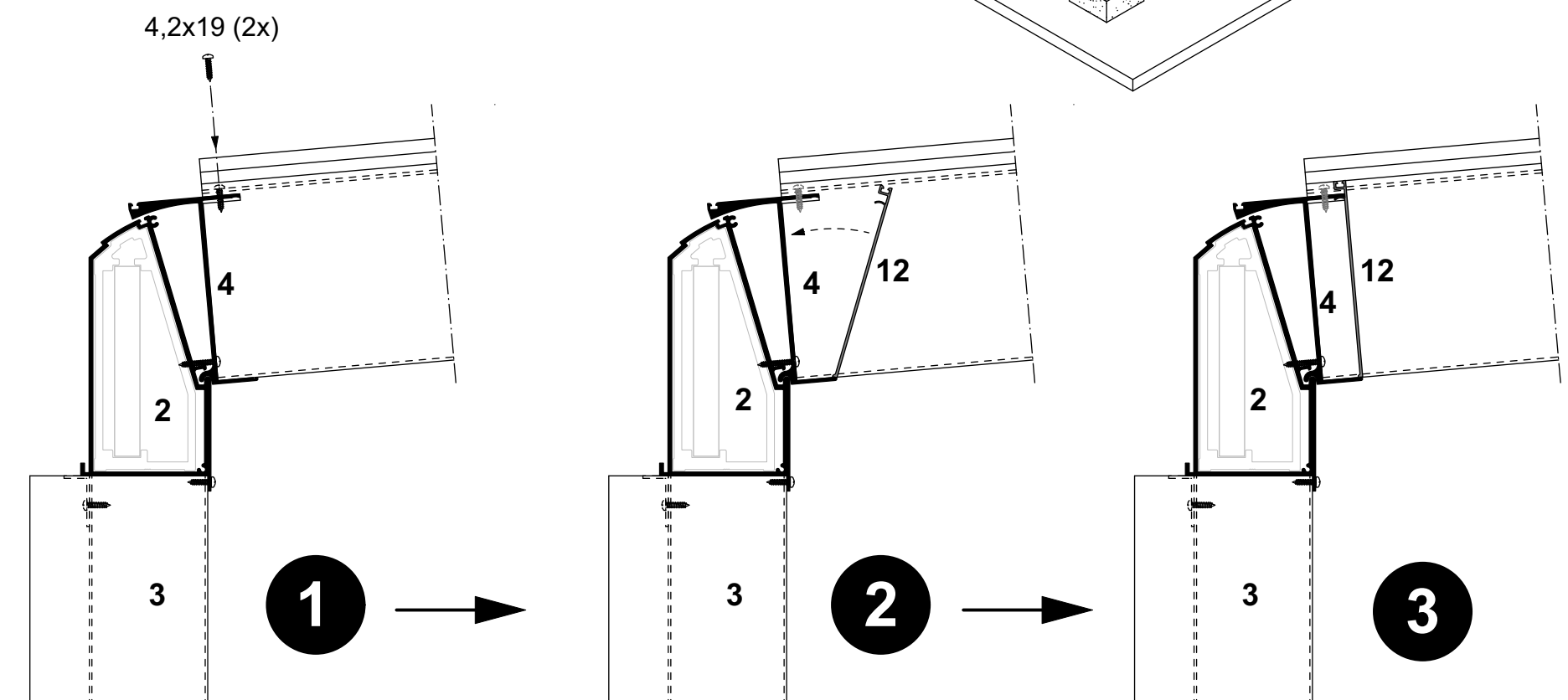
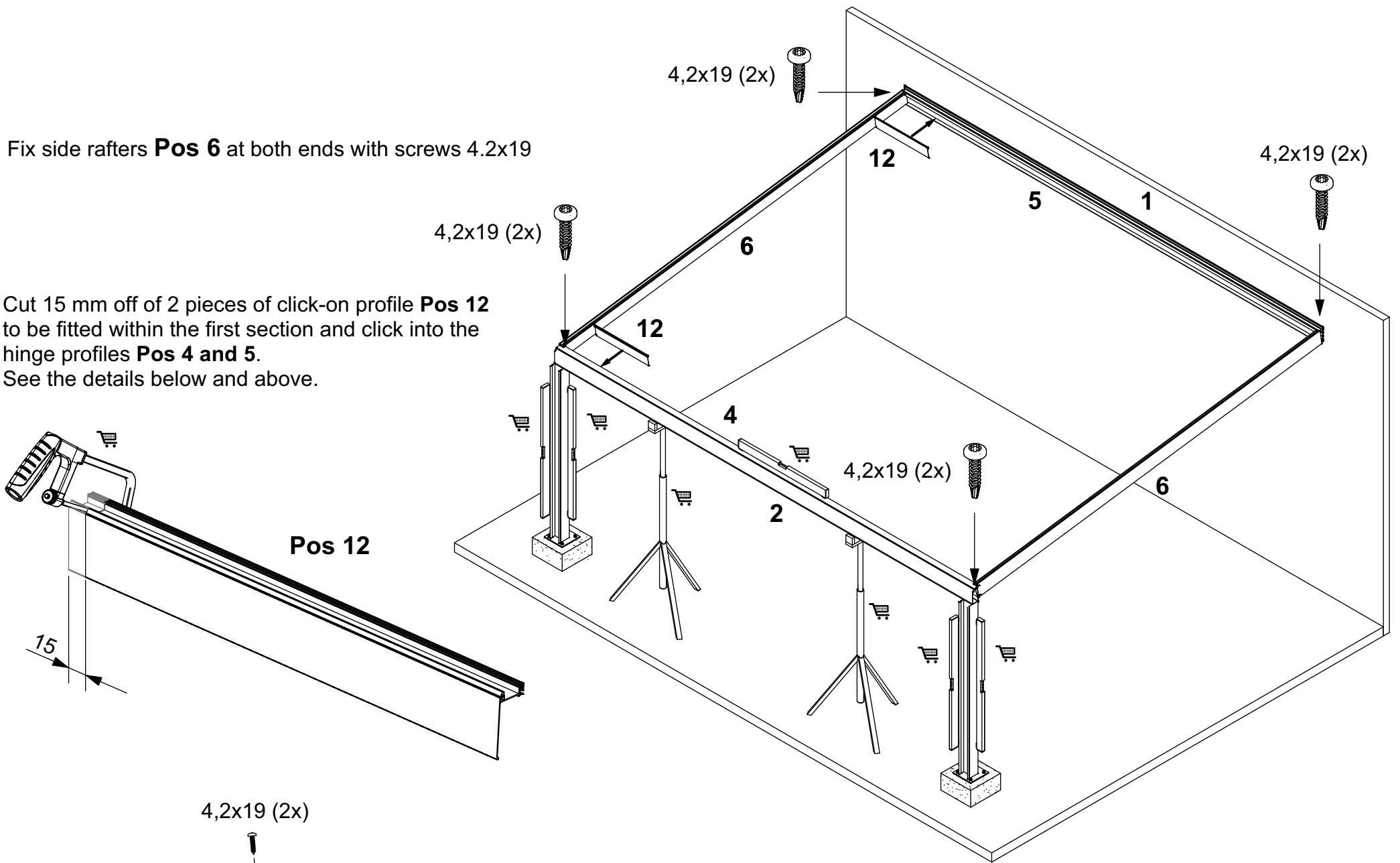


Please check if the construction is still perpendicular and level every once in a while.

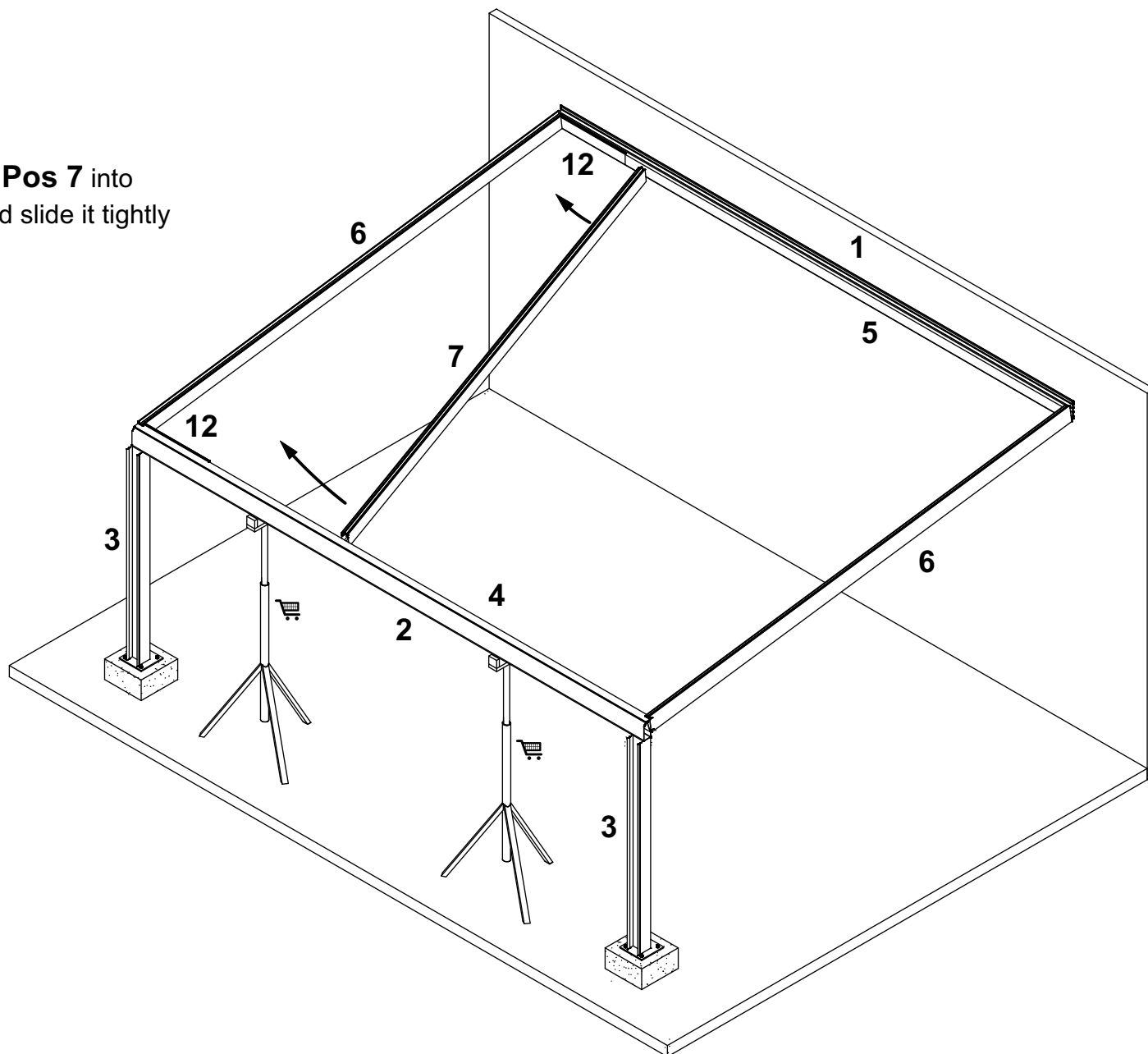


Fix side rafters **Pos 6** at both ends with screws 4.2x19

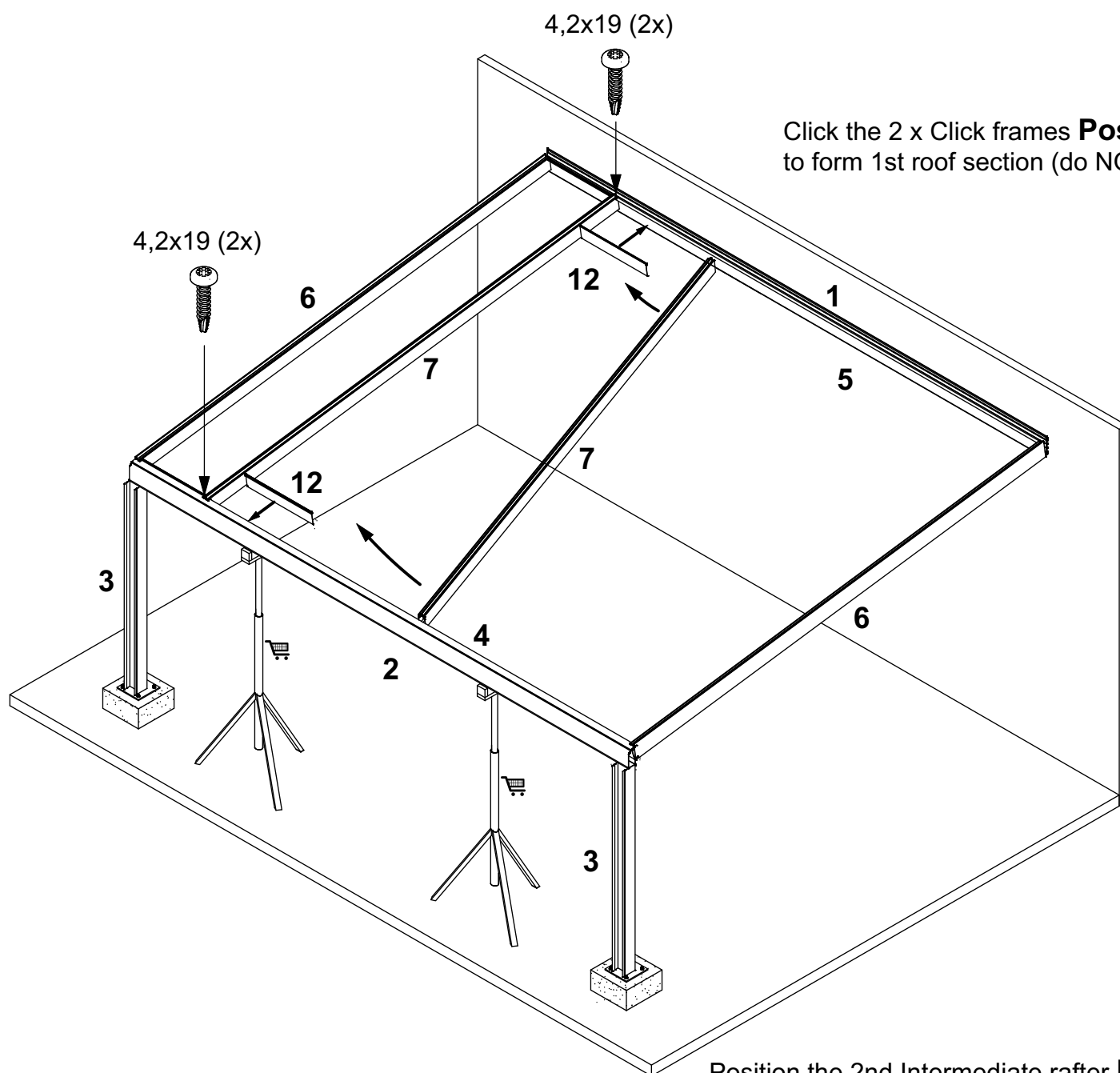
Cut 15 mm off of 2 pieces of click-on profile **Pos 12** to be fitted within the first section and click into the hinge profiles **Pos 4 and 5**. See the details below and above.



Position the 1st Intermediate rafter **Pos 7** into the Hinge profile **Pos 4 and 5** and slide it tightly against the click frames **Pos 12**



Fix the 1st Intermediate rafter **Pos 7** on both sides with 2 screws 4.2x19



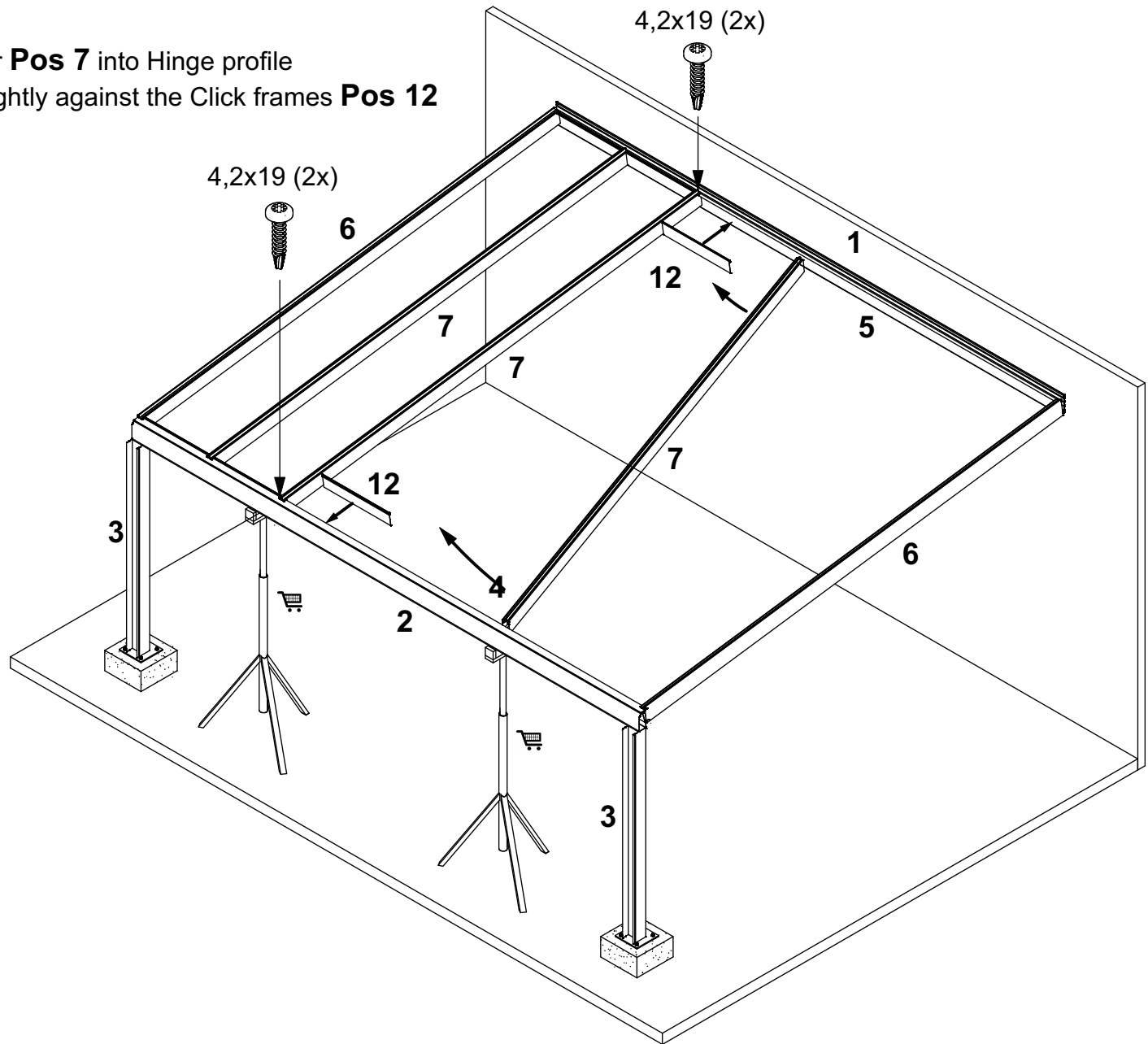
Click the 2 x Click frames **Pos 12** into the Hinge profile **Pos 4 and 5** to form 1st roof section (do NOT shorten these Click frames !)

Position the 2nd Intermediate rafter **Pos 7** into Hinge profile **Pos 4 and 5** and again slide it tightly against the Click frames **Pos 12**



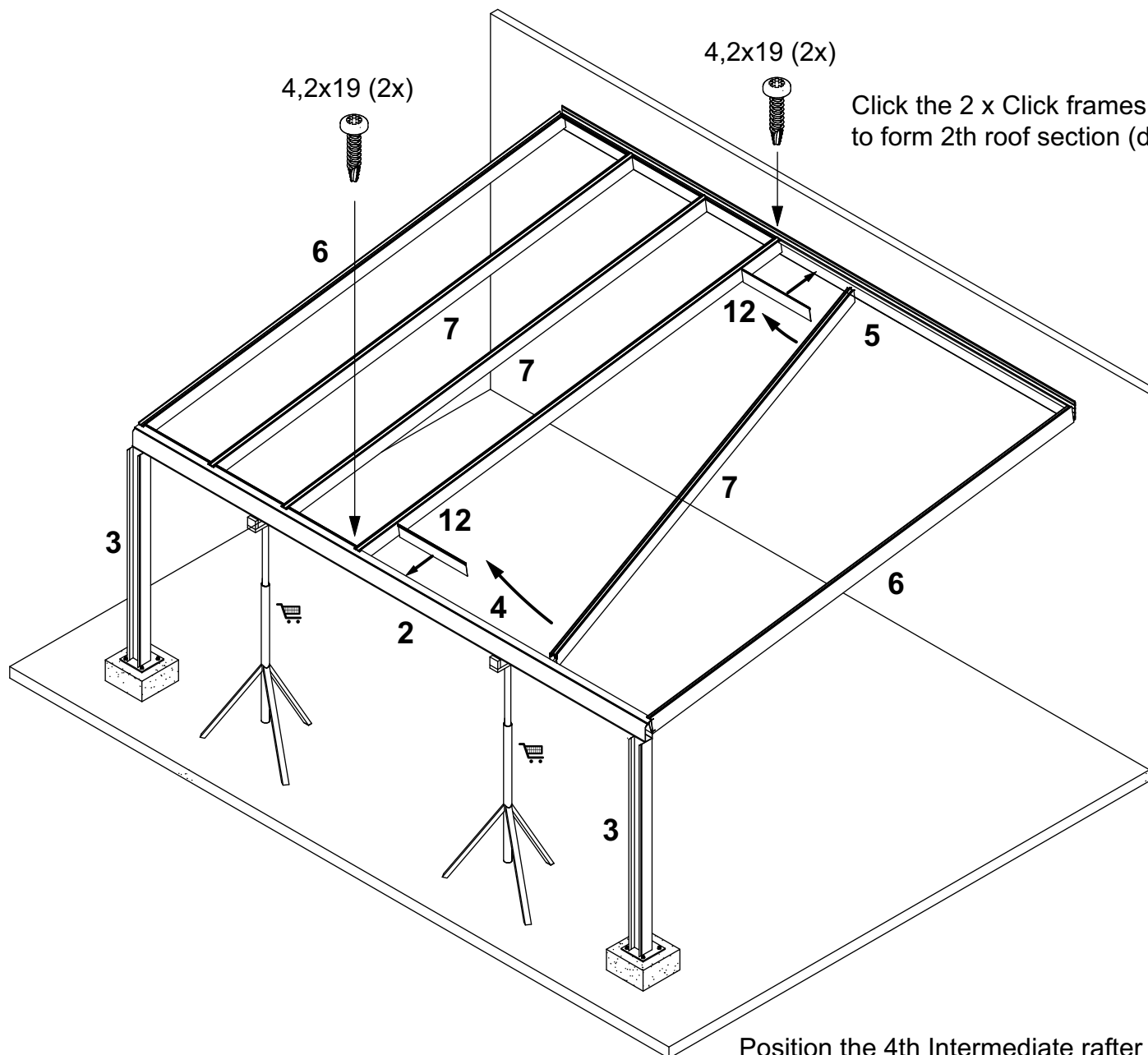
Fix the 2nd Intermediate rafter **Pos 7** on both sides using 2 screws 4.2x19

Position the 3rd Intermediate rafter **Pos 7** into Hinge profile **Pos 4 and 5** and again slide it tightly against the Click frames **Pos 12**



Fix the 4th Intermediate rafter **Pos 7** on both sides using 2 screws 4.2x19

Click the 2 x Click frames **Pos 12** into the Hinge profile **Pos 4 and 5** to form 2th roof section (do NOT shorten these Click frames !)

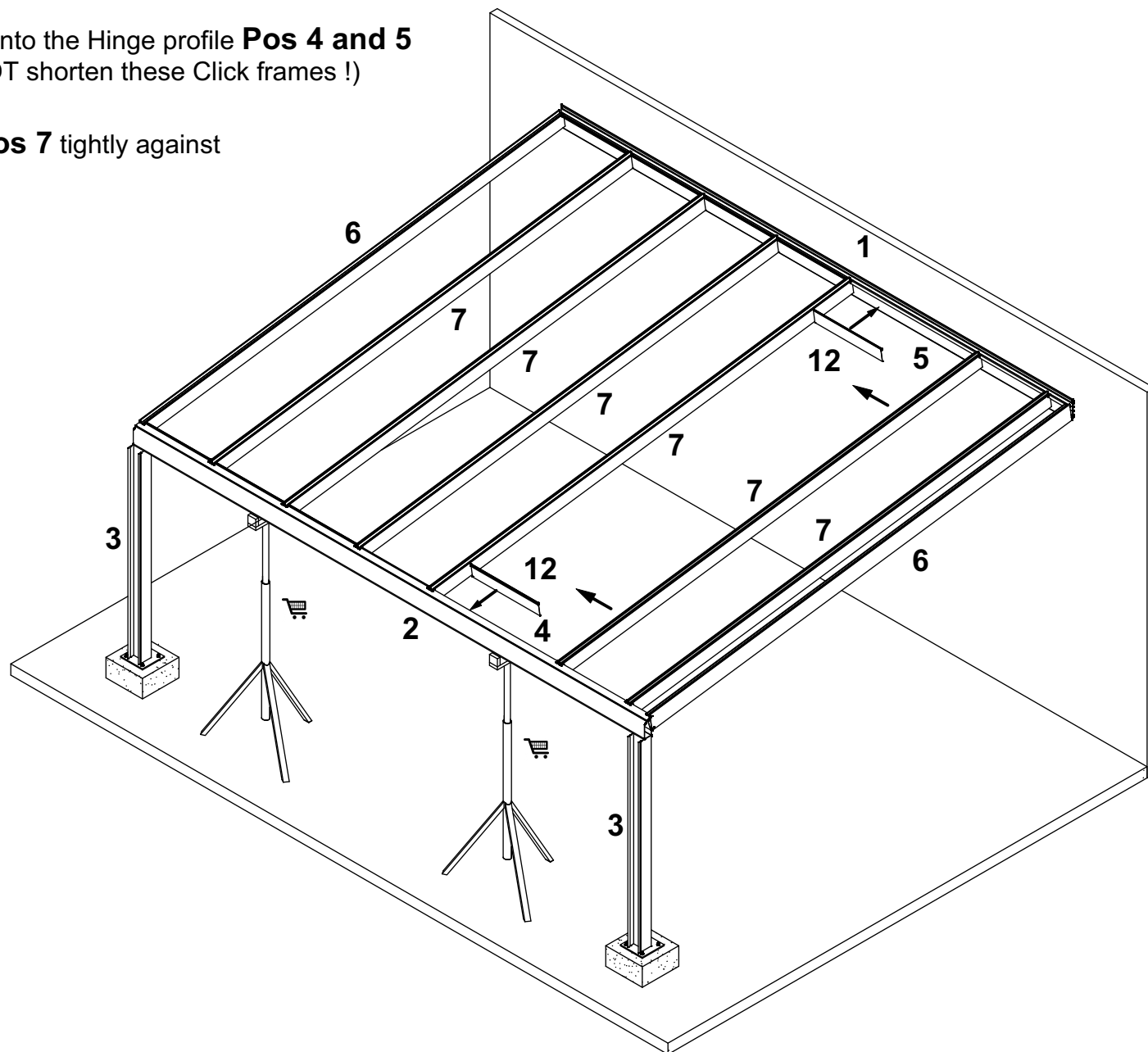


Position the 4th Intermediate rafter **Pos 7** into Hinge profile **Pos 4 and 5** and again slide it tightly against the Click frames **Pos 12**



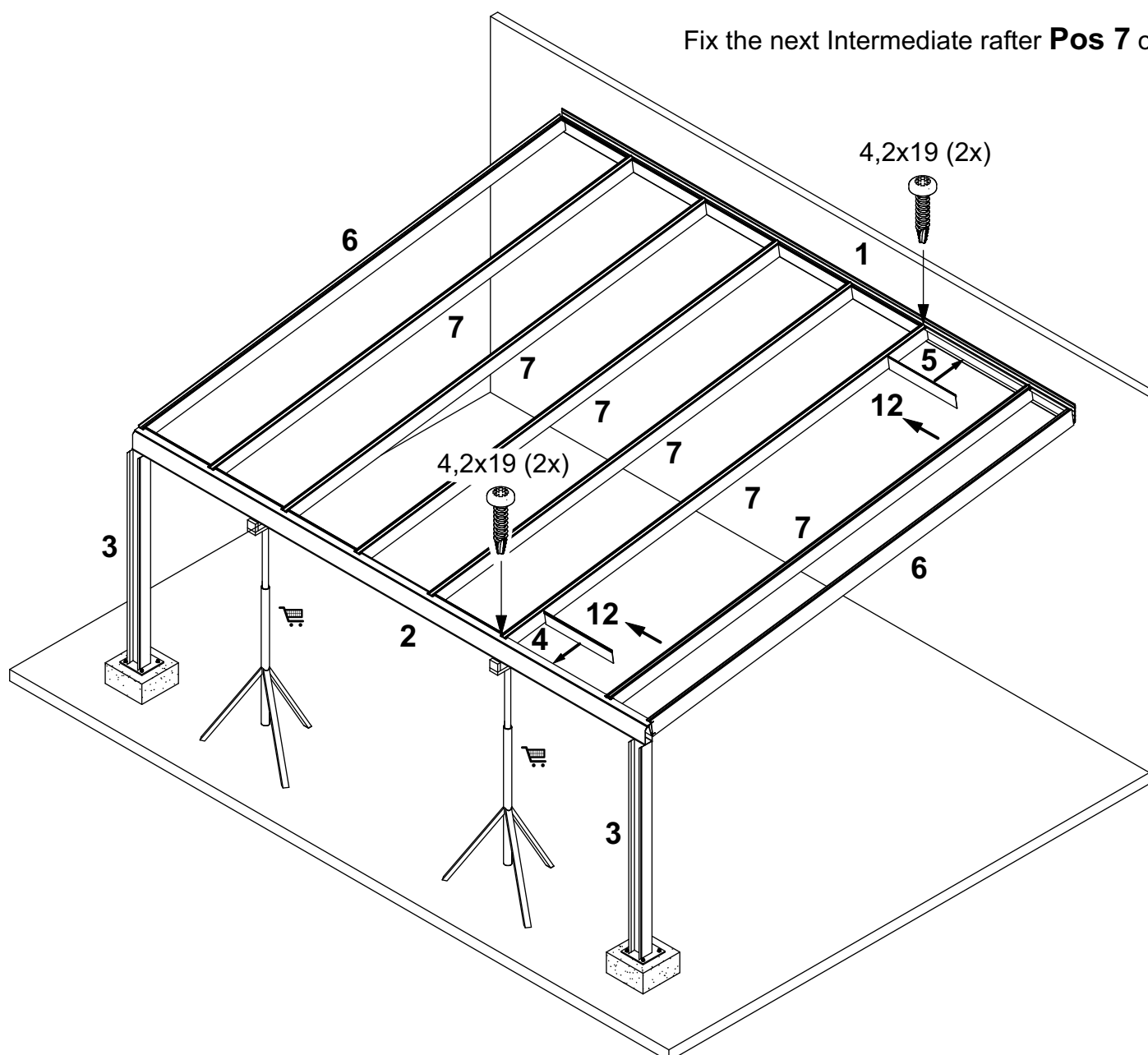
Click the 2 x Click frames **Pos 12** into the Hinge profile **Pos 4 and 5** to form the next roof section (do NOT shorten these Click frames !)

Slide the next Intermediate rafter **Pos 7** tightly against the Click Frames **Pos 12**



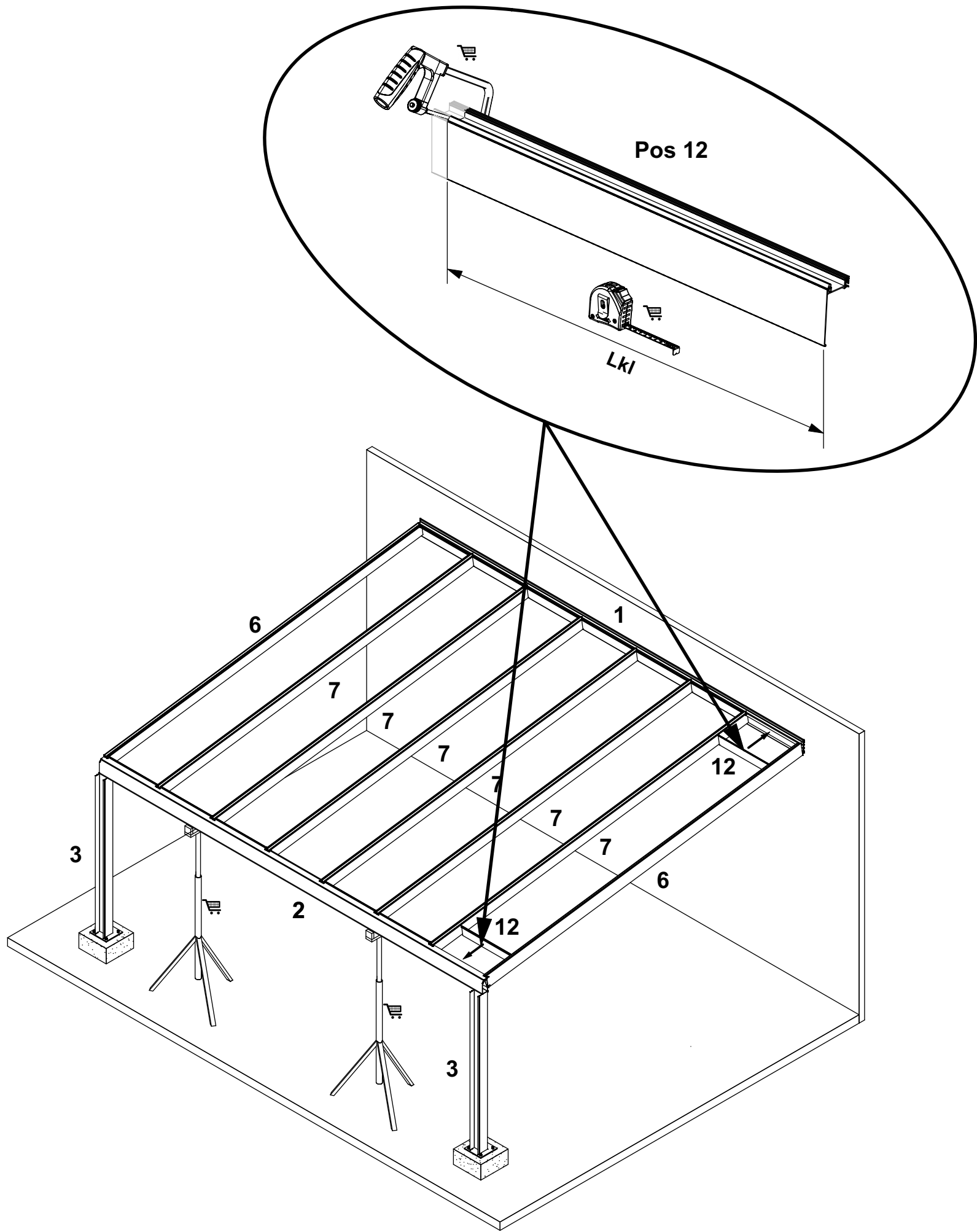
Click the both Click frames **Pos 12** into the Hinge profile **Pos 4 and 5** to form the next roof section (do NOT shorten these Click frames !)

Fix the next Intermediate rafter **Pos 7** on both sides using 2 screws 4.2x19



Slide the next Intermediate support **Pos 7** tightly against the Click Frames **Pos 12**

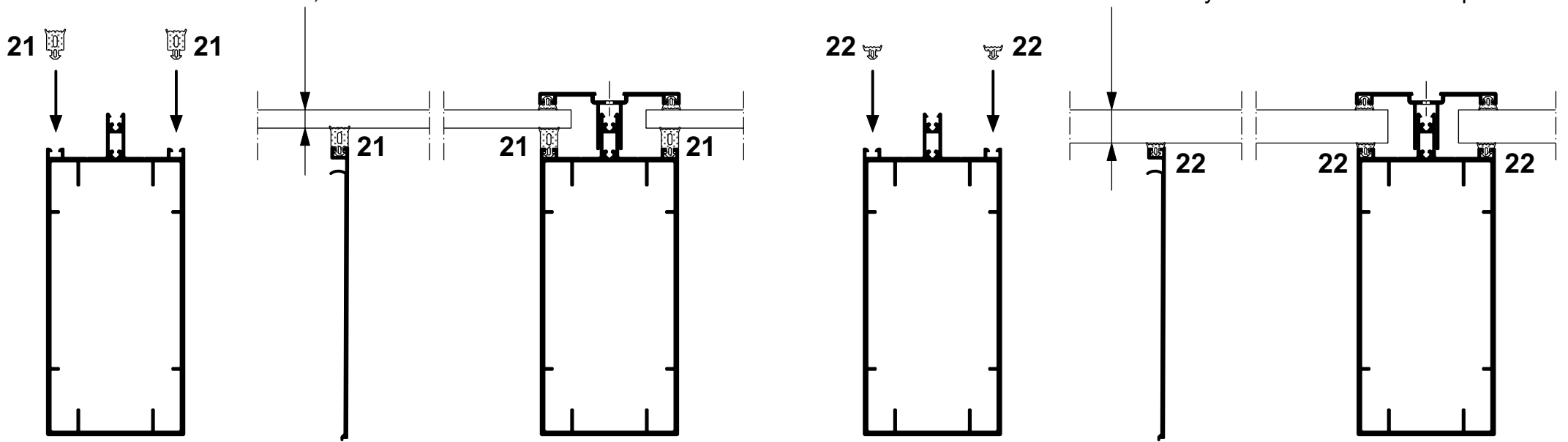
Measure the 2 Click frames **Pos 12** for the last roof section and mount them in the Hinge profile **Pos 4** and **Pos 5**

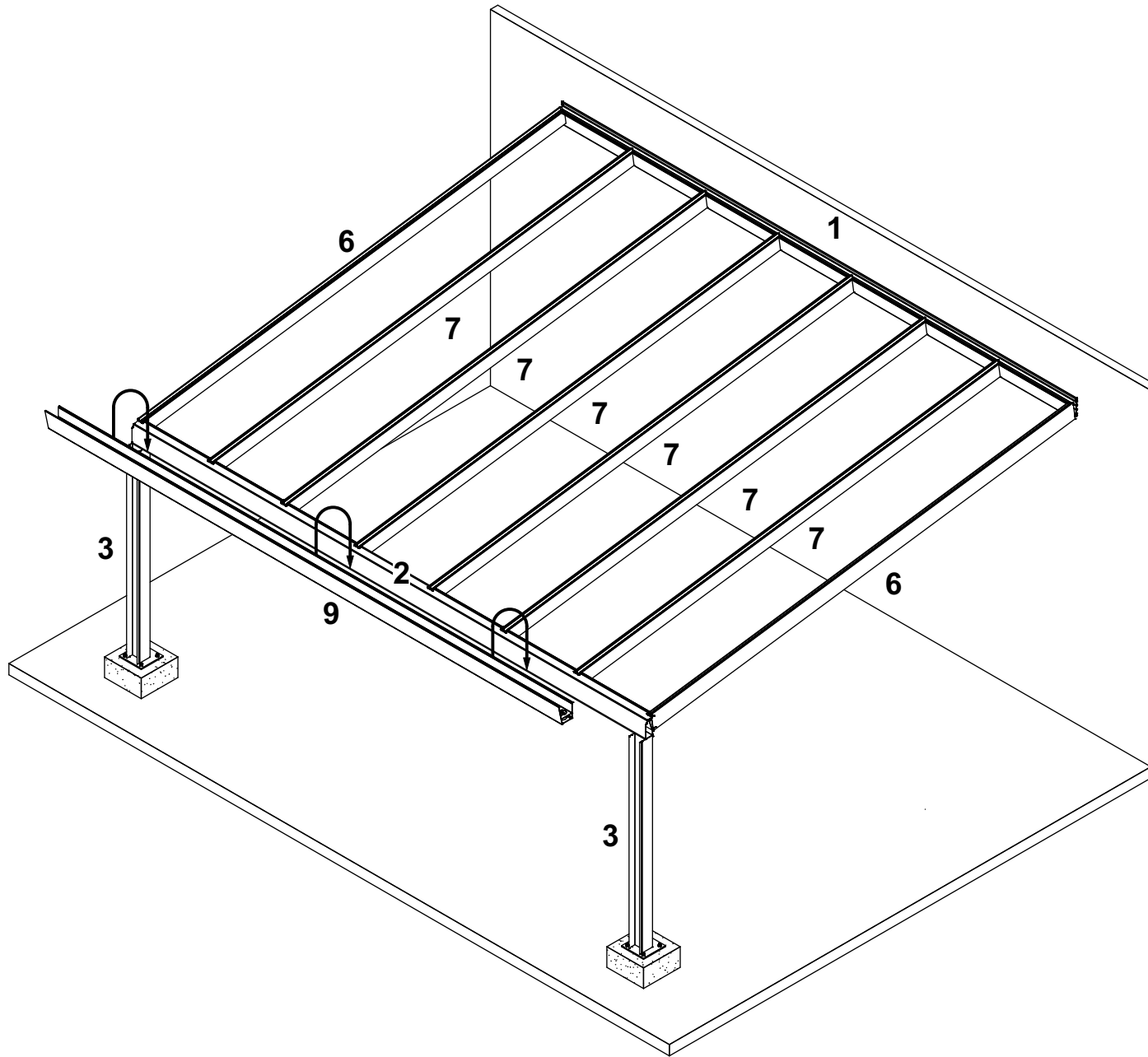


Fit Glazing gaskets to the Supports and Click frames in the whole roof surface (see Details below)

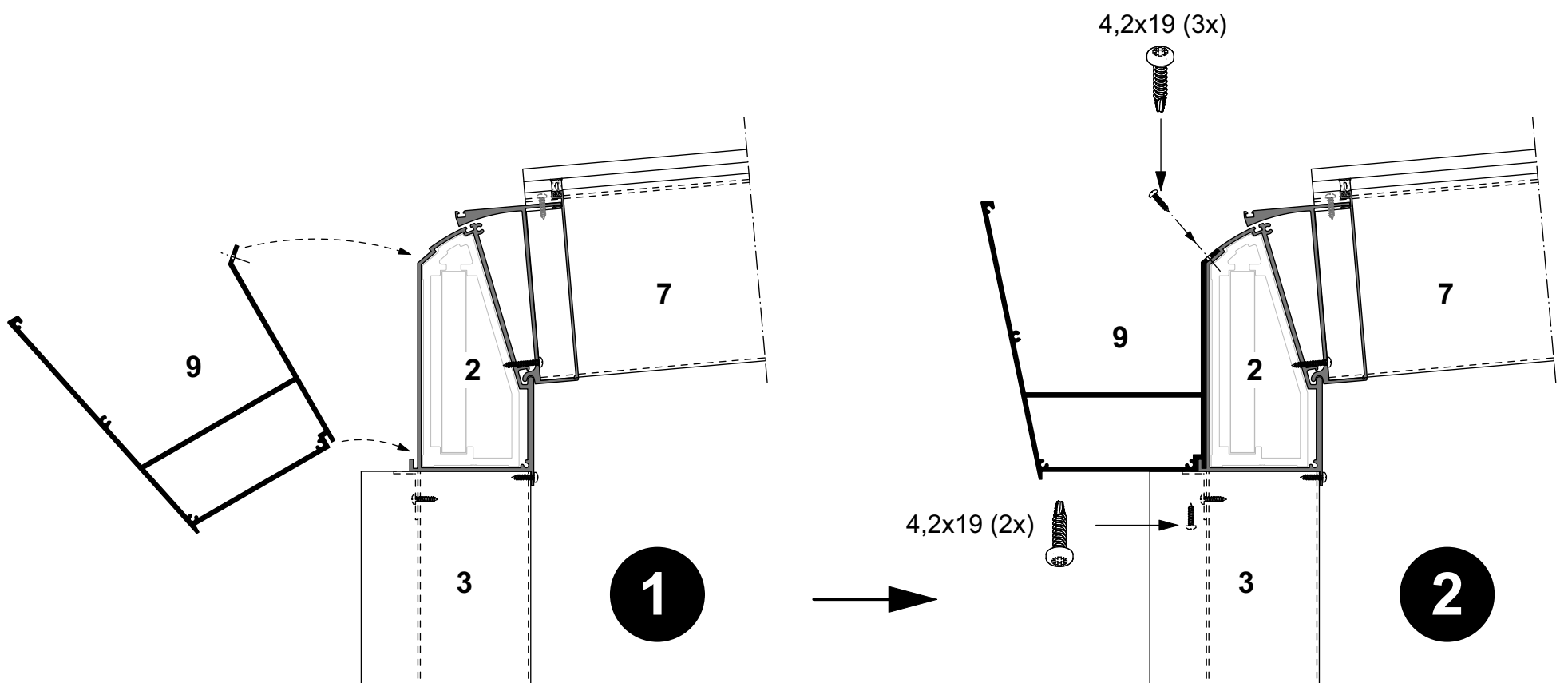
9.5 mm rubber **Pos 21** for 8, 10 or 12 mm Glass

or 3.5 mm rubber **Pos 22** for 16 mm Polycarbonate or Sandwich panels





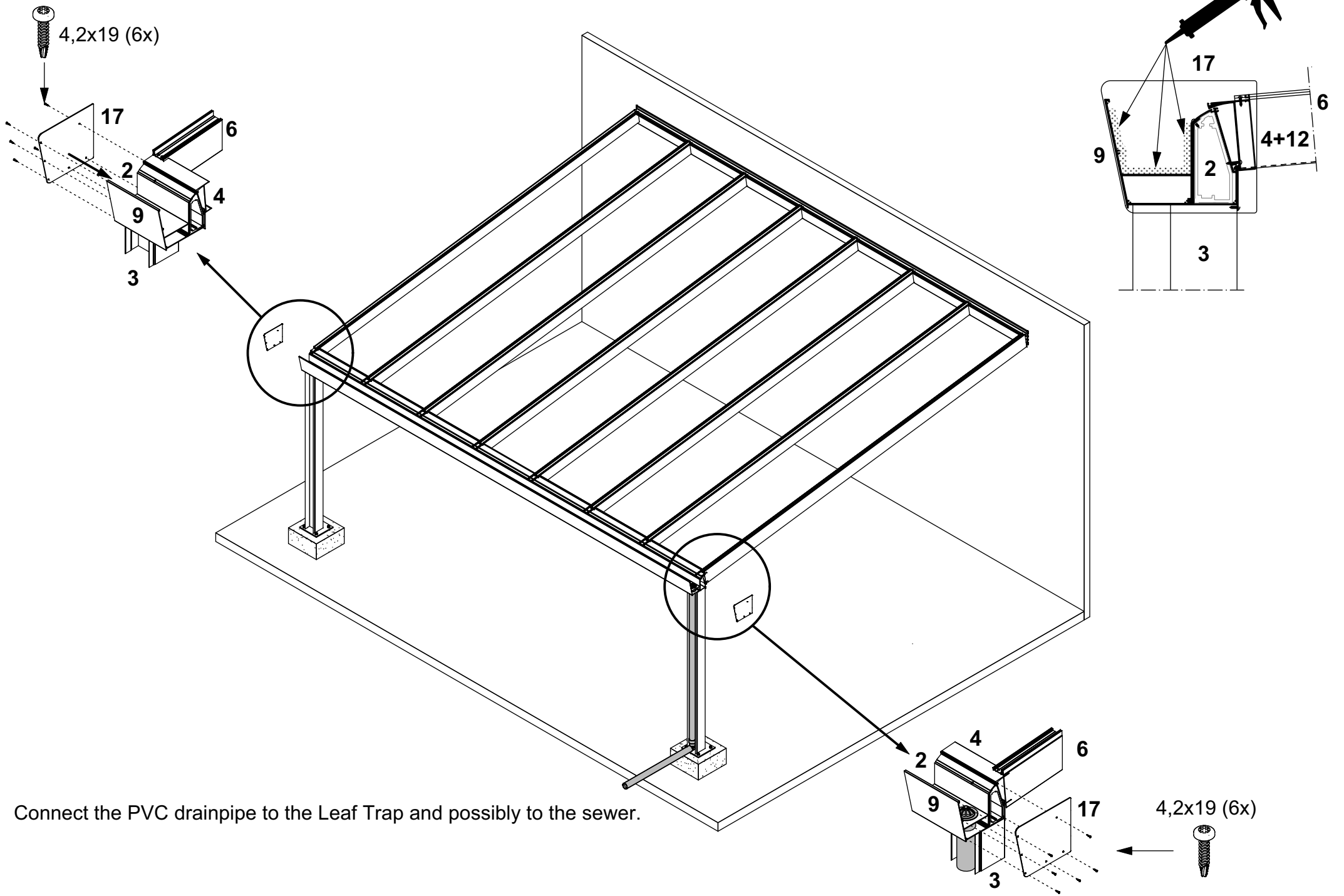
Hook the Gutter profile **Pos 9** into the Gutter support **Pos 2** and fix it with 3 screws 4.2x19



Screw the Gutter profile **Pos 9** at the bottom into the open Post **Pos 3** to the mounting bracket **Pos 16** with 2 screws 4.2x19

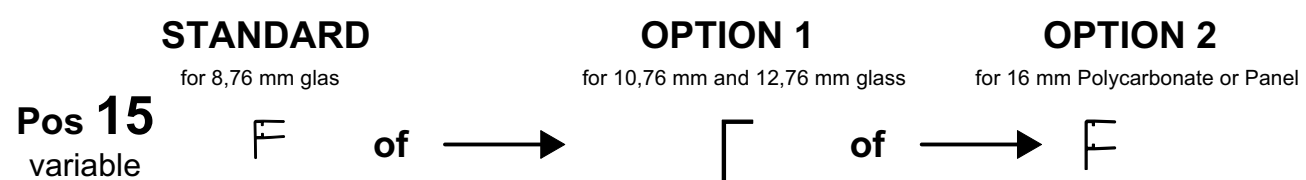
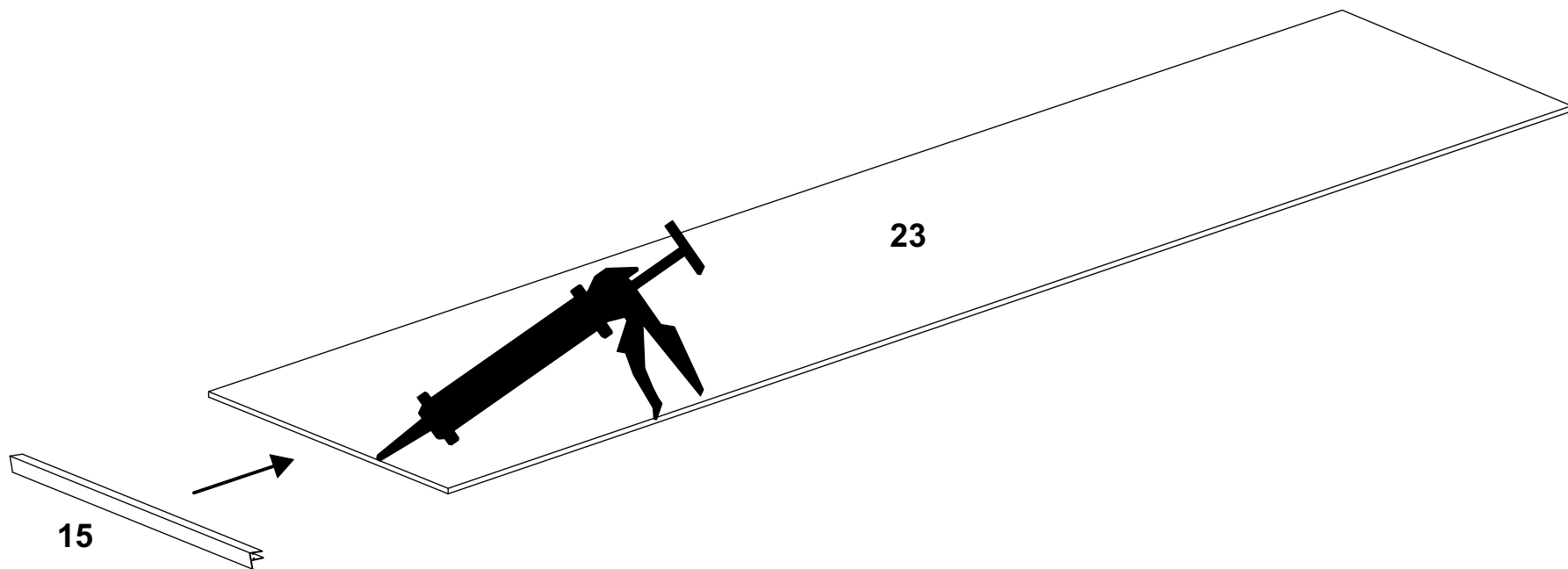


Fix the End plates **Pos 17** to the ends of Gutter Profile **Pos 9** with 6 screws 4.2x19 and apply watertight sealant to the joints.

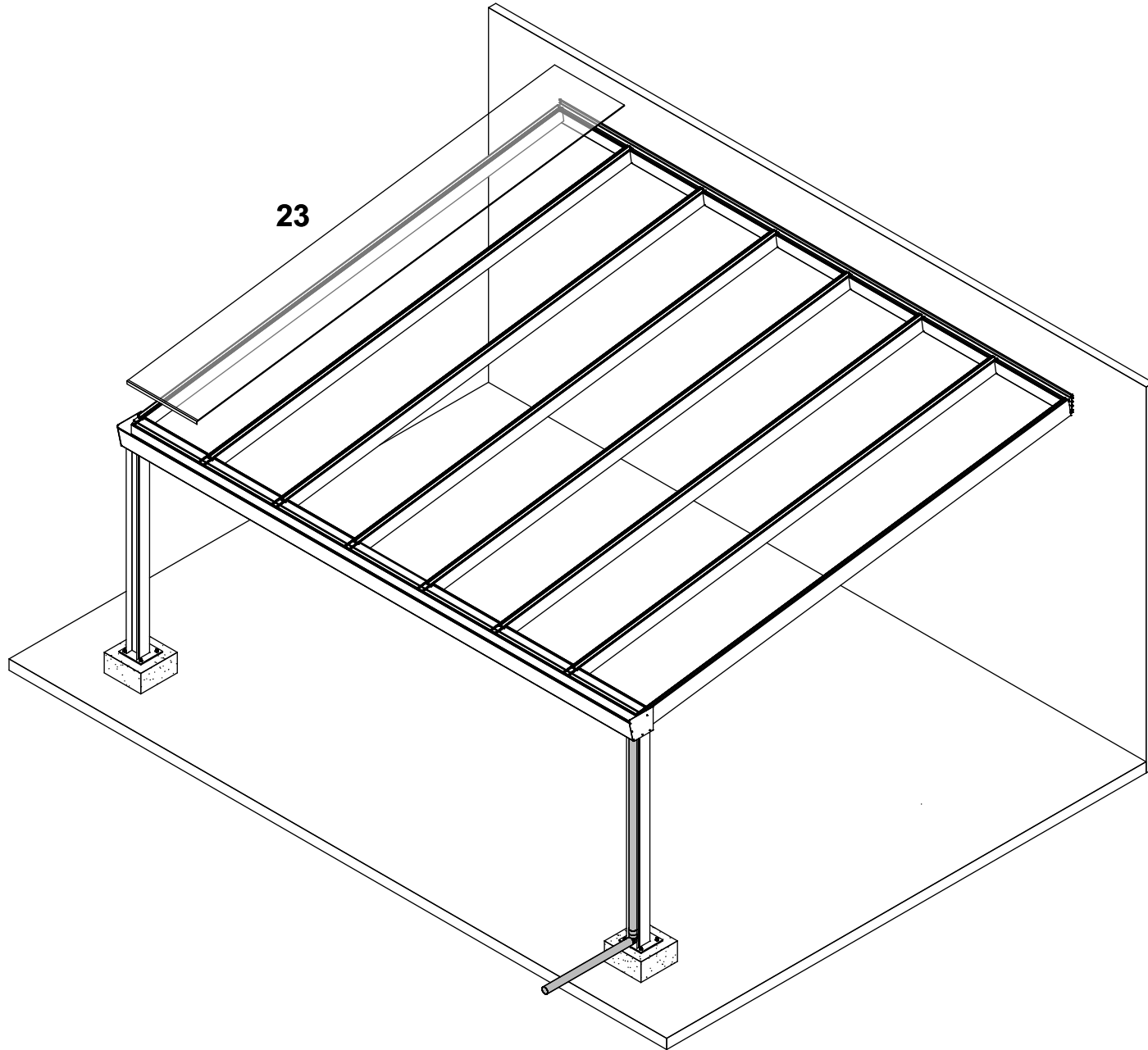


Connect the PVC drainpipe to the Leaf Trap and possibly to the sewer.

Apply a thin amount of adhesive to the underside of Roof Sheet **Pos 23** and glue the condensation profile **Pos 15** to the Roof Panel

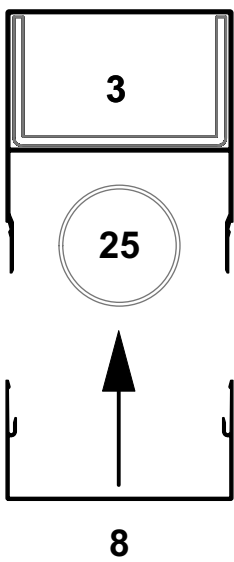


Place the first sheet **Pos 23** onto the roof and with the condensation profile **Pos 15** at the bottom  
(check again that the roof surface is still all square)



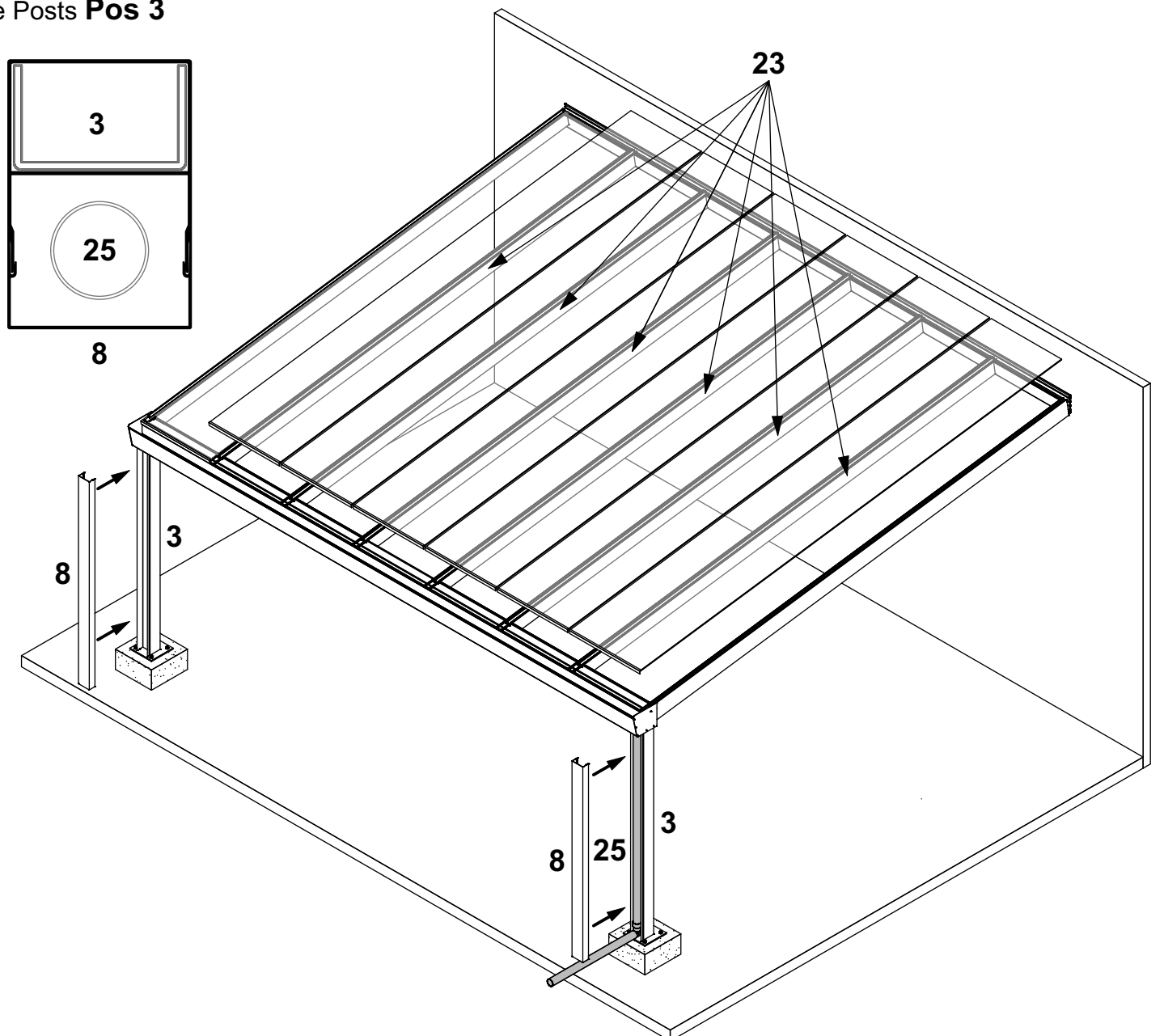
**1**

Click the Cover panels **Pos 8** onto the Posts **Pos 3**

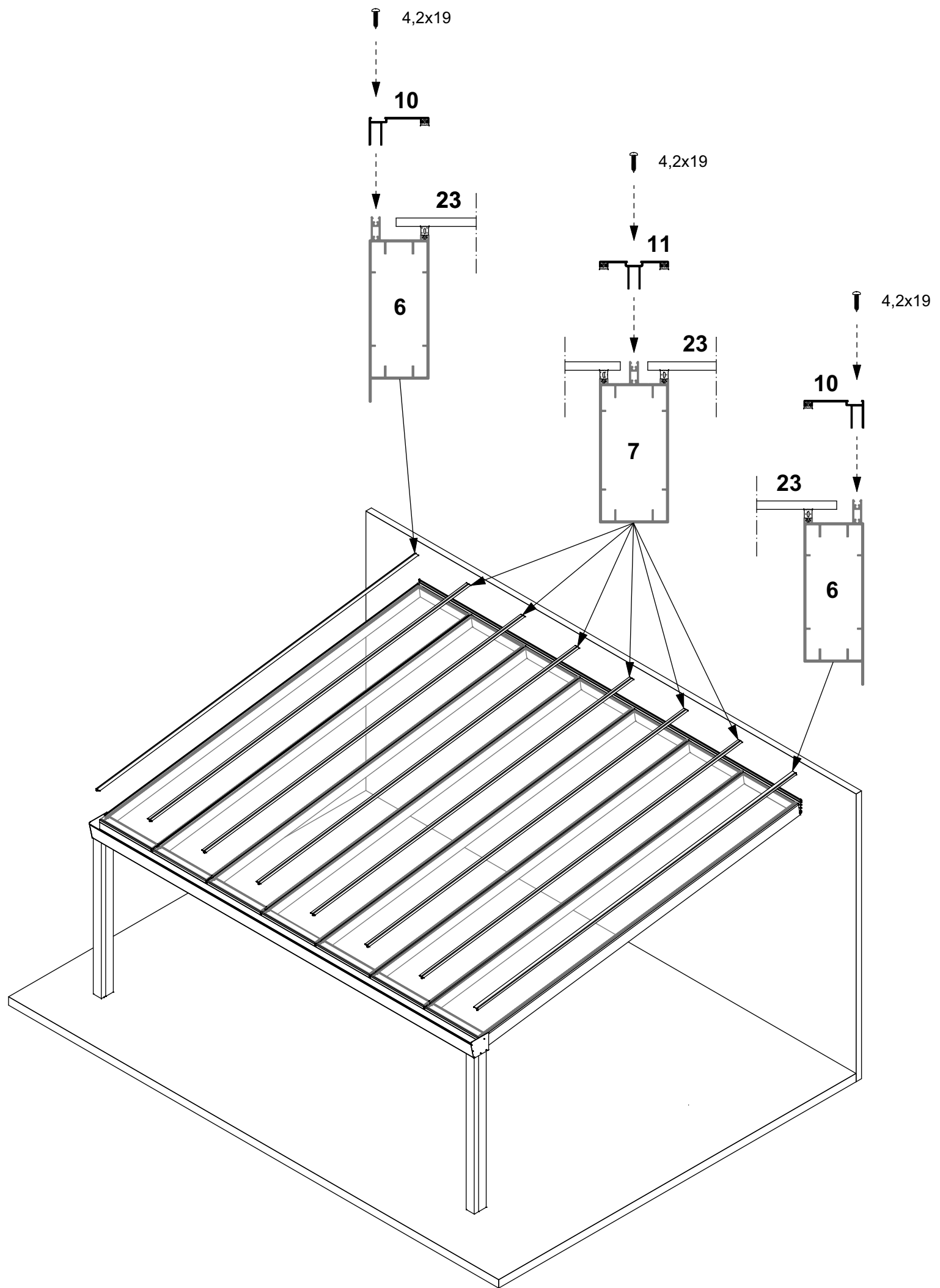


**2**

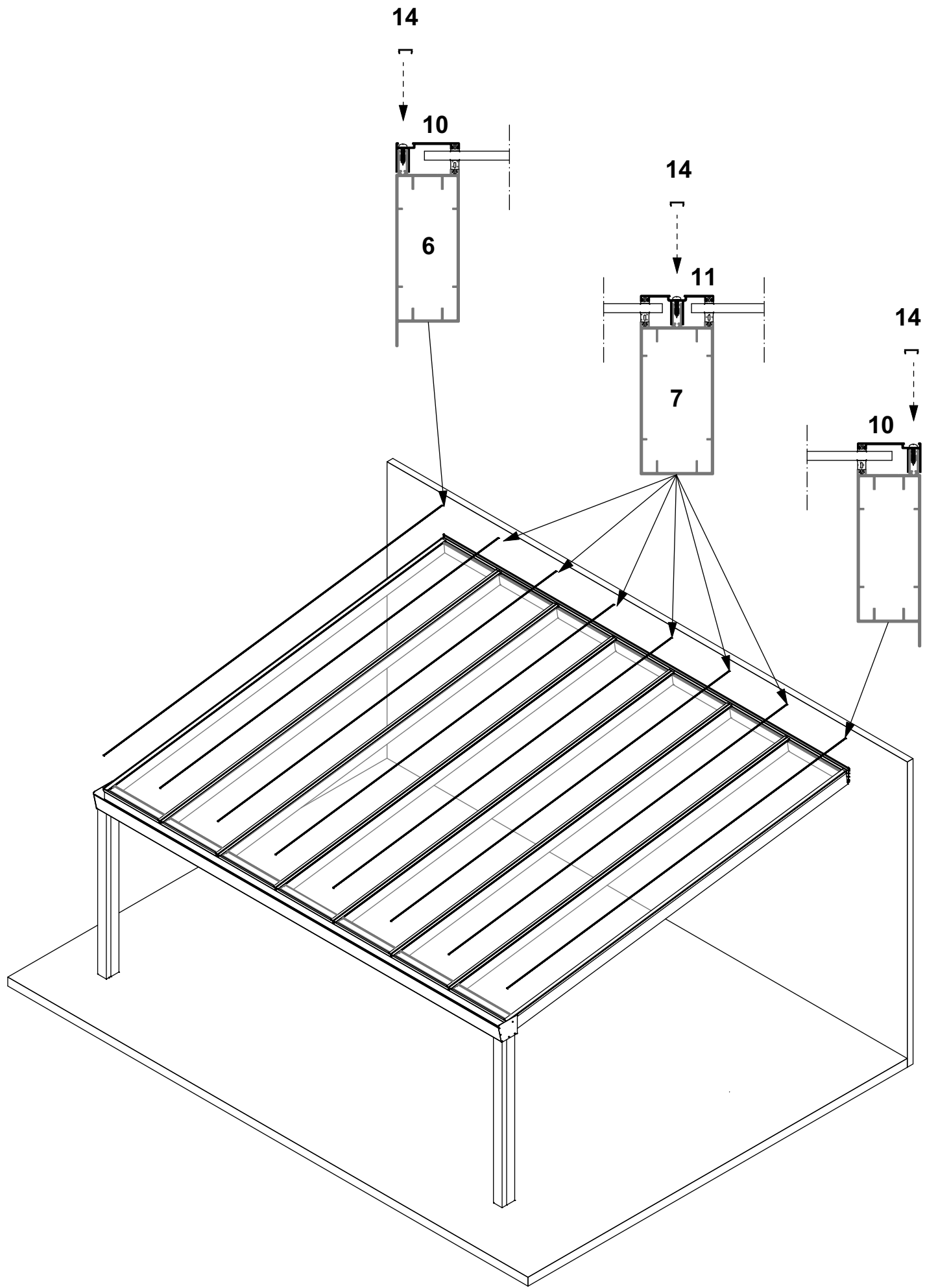
Place the remaining sheets **Pos 23** onto the roof  
with the condensation profiles **Pos 15** on the bottomside



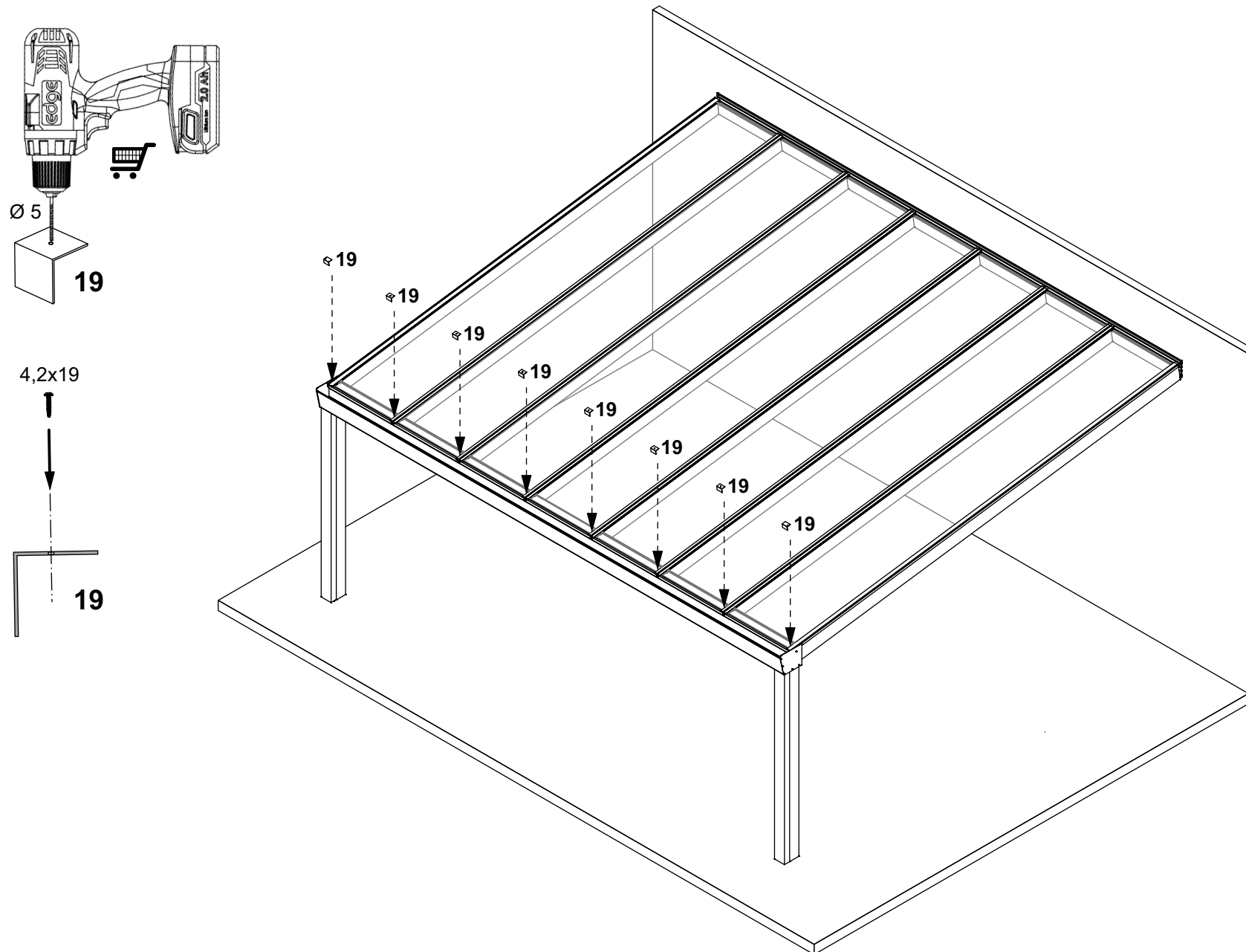
Position the Side Covers **Pos 10** and Intermediate Covers **Pos 11** and fix with screws 4.2x19



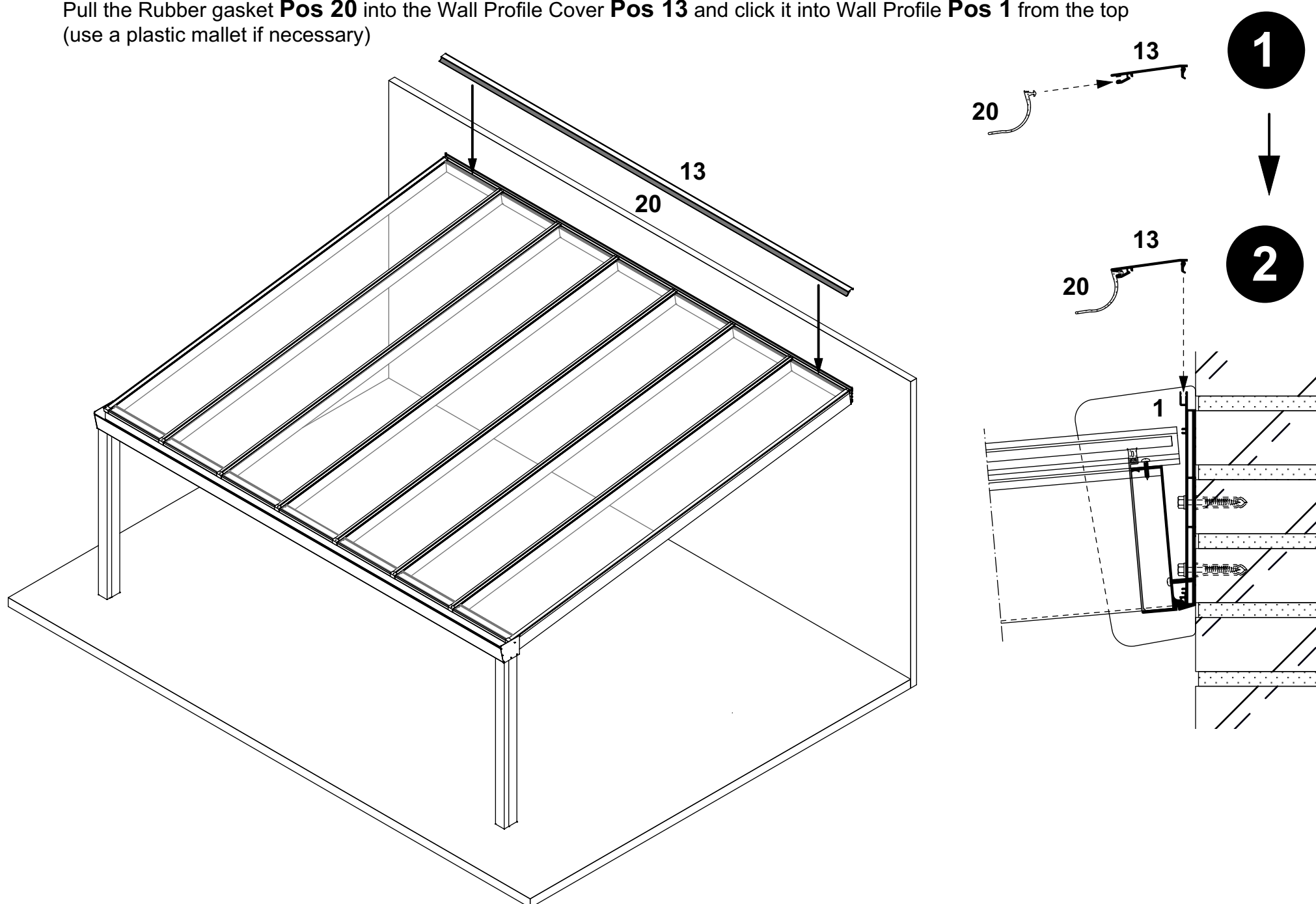
Click the Screw Cover strips **Pos 14** into the Cover **Pos 10 and 11** (use a plastic mallet if necessary)



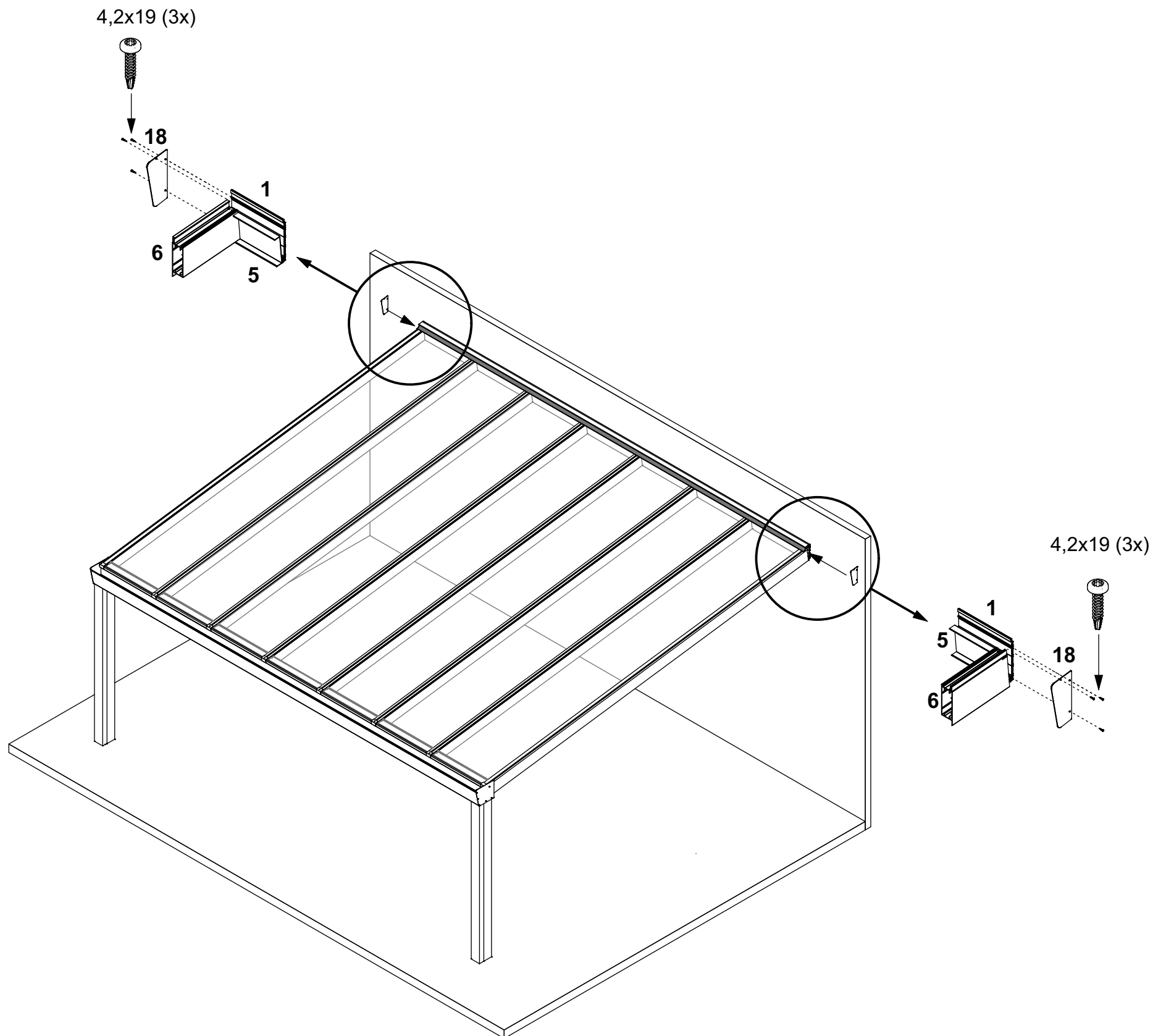
Drill a hole of Ø 5 mm in the Sheet holders **Pos 19** and screw it on the gutter side at the end of the Covers



Pull the Rubber gasket **Pos 20** into the Wall Profile Cover **Pos 13** and click it into Wall Profile **Pos 1** from the top (use a plastic mallet if necessary)



Fix the End plates **Pos 18** to the ends of Wall profile **Pos 1 and 13** with 3 screws 4.2x19



Apply sealant to the connection between the wall and the Wall Profile Cover **Pos 13**.

